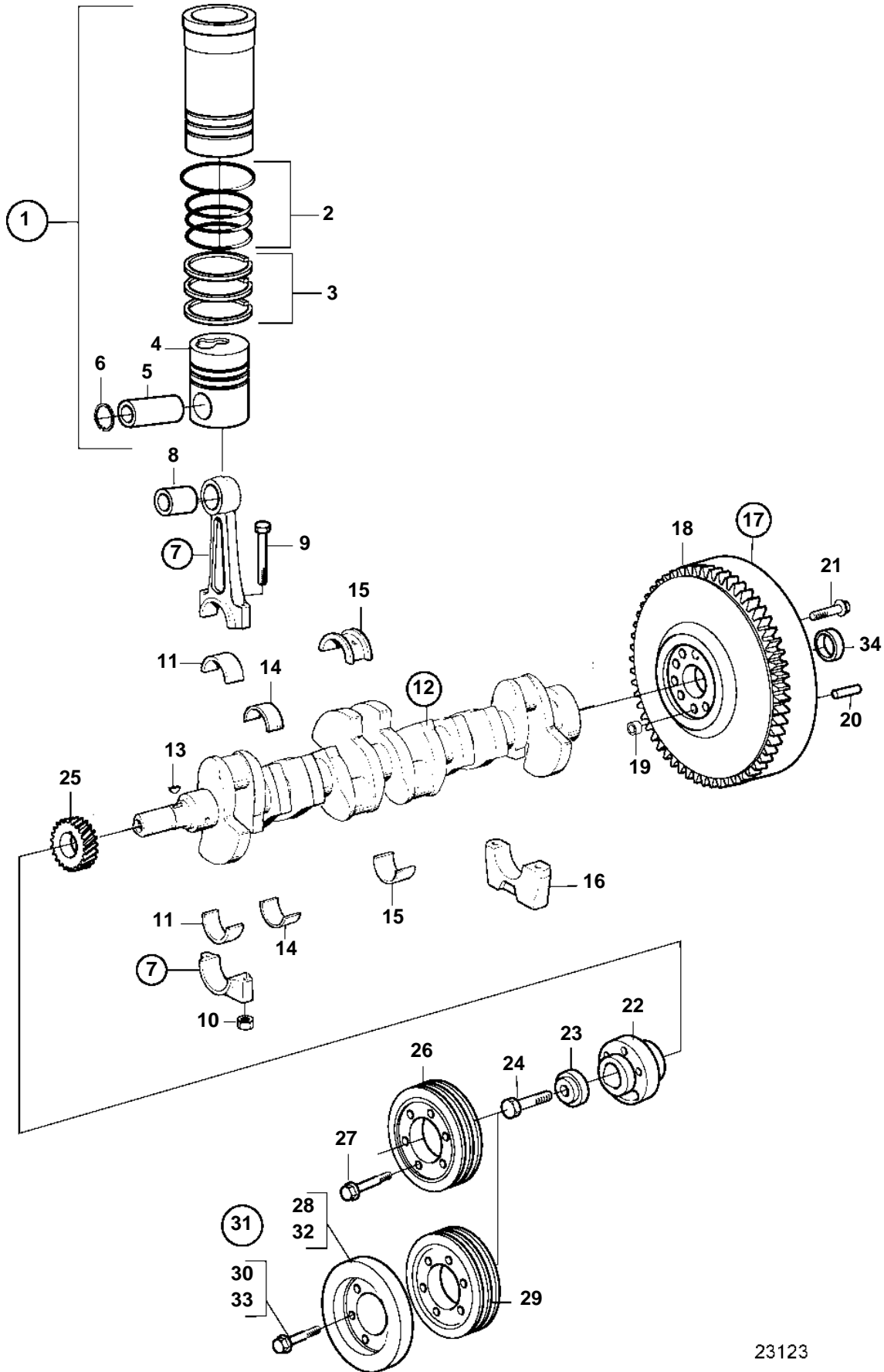


D41L-A, AD41P-A, AD41L-A



23123

## D41L-A, AD41P-A, AD41L-A

REF	PART NO.	QTY	DESCRIPTION	NOTES
1	3817034	6	Cylinder liner kit	(3581714)
2	275751	6	· Sealing ring kit	
3	3817033	6	· Piston ring kit	
4		6	· Piston	
5	422793	6	· Piston pin	
6	914519	12	· Lock ring	
7	3581063	6	Connecting rod	
8	3581021	6	· Bushing	
9	1542077	12	· Connecting rod bolt	
10	1542078	12	· Nut	
11	876511	6	Big end bearing kit	STD D
	876512	6	Big end bearing kit	U.S=0,25mm
	876513	6	Big end bearing kit	U.S=0,50mm
	876514	6	Big end bearing kit	U.S=0,75mm
12	3582850	1	Crankshaft	
13	910118	1	· Woodruff key	
14	876515	6	Main bearing kit	STD D
	876516	6	Main bearing kit	U.S=0,25mm
	876517	6	Main bearing kit	U.S=0,50mm
	876518	6	Main bearing kit	U.S=0,75mm
15	876519	1	Thrust bearing	STD D
	876520	1	Thrust bearing	O.S=0,10mm/U.S=0,25mm
	876521	1	Thrust bearing	O.S=0,20mm/U.S=0,50mm
	876522	1	Thrust bearing	O.S=0,20mm/U.S=0,75mm
16		7	Main bearing cap	
17	861614	1	Flywheel	SN2204151711-2204212194
	3581169	1	Flywheel	SN2204212195-
				REPL BY 3582704
	3582704	1	Flywheel	
18	829462	1	· Gear ring	
19	415311	1	· Sleeve	
20	191873	3	· Locating pin	
21	861671	1	Screw kit	The kit includes 8 pcs screw.. Shall not be used together with bolt plate 1542093.
22	1542196	1	Hub	
23	420124	1	Washer	
24	470366	1	Screw	
25	1542305	1	Gear	
26	877409	1	Damper kit	D41L
	877409	1	Damper kit	AD41L
27	948217	6	Flange screw	
28	860944	1	Vibration damper	AD41P. Replaced by 1pcs 877409, kit, 1pcs 3583677, vibration damper and 6pcs 983745, screw.
29	859614	1	Pulley	AD41P
30	973924	6	Flange screw	
31	877409	1	Damper kit	
32	3583677	1	· Vibration damper	
33	983745	6	· Screw	
34	872761	1	Bushing	