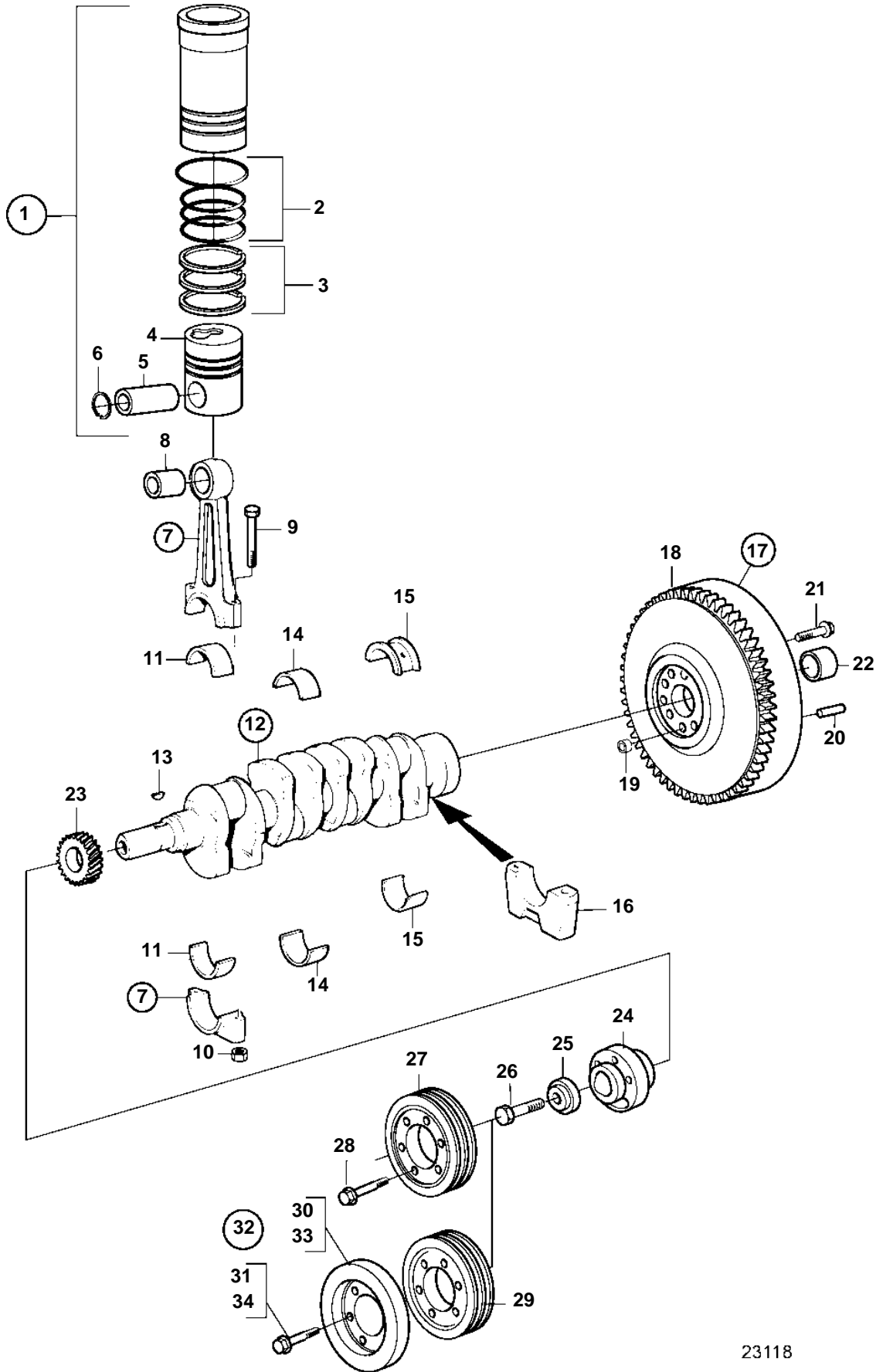


AD31P-A, AD31L-A



23118

AD31P-A, AD31L-A

REF	PART NO.	QTY	DESCRIPTION	NOTES
1	3817034	4	Cylinder liner kit	(3581714)
2	275751	4	· Sealing ring kit	
3	3817033	4	· Piston ring kit	
4		4	· Piston	
5	422793	4	· Piston pin	
6	914519	8	· Lock ring	
7	3581063	4	Connecting rod	
8	3581021	4	· Bushing	
9	1542077	8	· Connecting rod bolt	
10	1542078	8	· Nut	
11	876511	4	Big end bearing kit	STD D
	876512	4	Big end bearing kit	U.S=0,25mm
	876513	4	Big end bearing kit	U.S=0.50mm
	876514	4	Big end bearing kit	U.S=0.75mm
12	3582849	1	Crankshaft	
13	910118	1	· Woodruff key	
14	876515	4	Main bearing kit	STD D
	876516	4	Main bearing kit	U.S=0,25mm
	876517	4	Main bearing kit	U.S=0,50mm
	876518	4	Main bearing kit	U.S=0,75mm
15	876519	1	Thrust bearing	STD D
	876520	1	Thrust bearing	O.S=0,10mm/U.S=0,25mm
	876521	1	Thrust bearing	O.S=0,20mm/U.S=0,50mm
	876522	1	Thrust bearing	O.S=0,20mm/U.S=0,75mm
16		5	Main bearing cap	
17	3582705	1	Flywheel	
18	829462	1	· Gear ring	
19	415311	1	· Sleeve	
20	191873	3	· Locating pin	
21	861671	1	Screw kit	The kit includes 8 pcs screw.. Shall not be used together with bolt plate 1542093.
22	872761	1	Bushing	AD31/DP
23	1542305	1	Gear	
24	1542196	1	Hub	
25	420124	1	Washer	
26	470366	1	Screw	
27	877409	1	Damper kit	AD31L
28	948217	6	Flange screw	
29	859614	1	Pulley	AD31P
30	860944	1	Vibration damper	AD31P. Replaced by 1pcs 877409, kit, 1pcs 3583677, vibration damper and 6pcs 983745, screw.
31	973924	6	Flange screw	
32	877409	1	Damper kit	
33		1	· Vibration damper	
34	983745	6	· Screw	