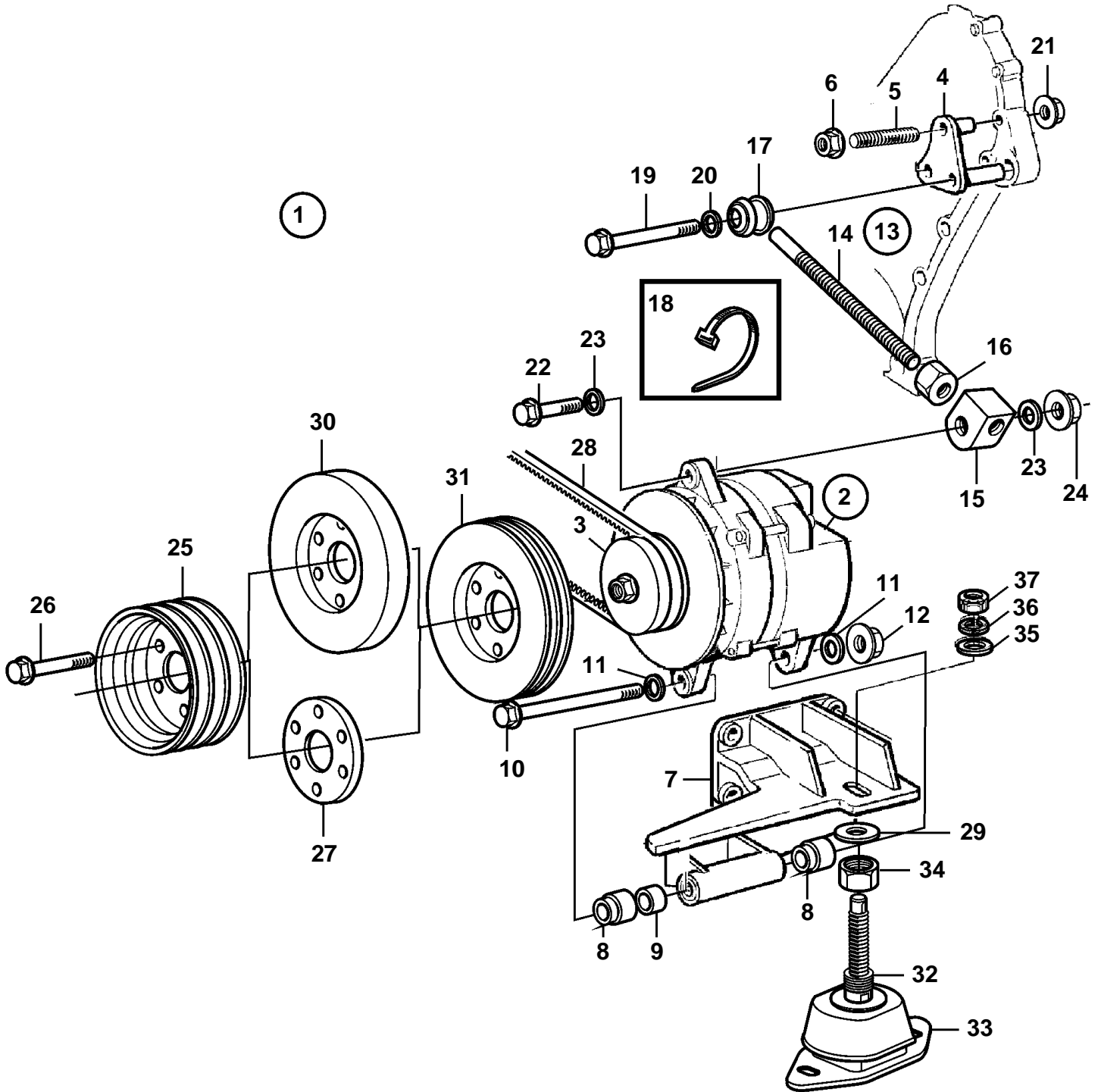


TMD31L-A, TAMD31P-A, TAMD31L-A, TAMD31M-A, TAMD31S-A, AD31P-A, AD31L-A, TMD41L-A, TAMD41P-A, TAMD41L-A, TAMD41M-A, TAMD41H-A, TAMD41H-B, D41L-A, AD41P-A, AD41L-A



23072

TMD31L-A, TAMD31P-A, TAMD31L-A, TAMD31M-A, TAMD31S-A, AD31P-A, AD31L-A, TMD41L-A, TAMD41P-A, TAMD41L-A, TAMD41M-A, TAMD41H-A, TAMD41H-B, D41L-A, AD41P-A, AD41L-A

REF	PART NO.	QTY	DESCRIPTION	SEE SEC.	NOTES
1	3583368	1	Alternator kit		Fits engines with damper thickness TH= 35mm and TH= 41mm.
2	849748	1	• Alternator		28V, 100A
	3803499	1	• Alternator,exch		Exchange unit
				596	
3	861123	1	• Pulley		
4	3582730	1	• Bracket		
5	968278	2	• Stud		
6	971098	2	• Flange lock nut		
7	860868	1	• Bracket		
8	859574	2	• • Bushing		
9		1	• • Sleeve		
10	970988	1	• Screw		
11	955897	2	• Washer		
12	971099	1	• Flange lock nut		
13	3582712	1	• Tensioner		
14		1	• • Rod		
15	3036796	1	• • Block		
16	3036797	1	• • Collet		
17		1	• • Bushing		
18	948211	1	• • Strip clamp		
19	970963	1	• Screw		
20	976945	1	• Washer		
21	971098	1	• Flange lock nut		
22	946752	1	• Flange screw		
23	960143	2	• Washer		
24	971098	1	• Flange lock nut		
25	861123	1	• Pulley		Fits engines with damper thickness TH= 35mm and TH= 41mm.
26	968842	6	• Flange screw		
27	860870	1	• Spacer		
28	966391	1	• V-belt kit		
29	945544	1	• Washer		Only used for rubber element with M16 bolt.
30		1	Absorber		ALT. SEE GROUP 21
31		1	Pulley		SEE GROUP 21
32		4	Screw		SEE GROUP 21
33		X	Rubber element		SEE GROUP 21
34		X	Nut		SEE GROUP 21
35		X	Washer		SEE GROUP 21
36		X	Spring washer		SEE GROUP 21
37		X	Nut		SEE GROUP 21