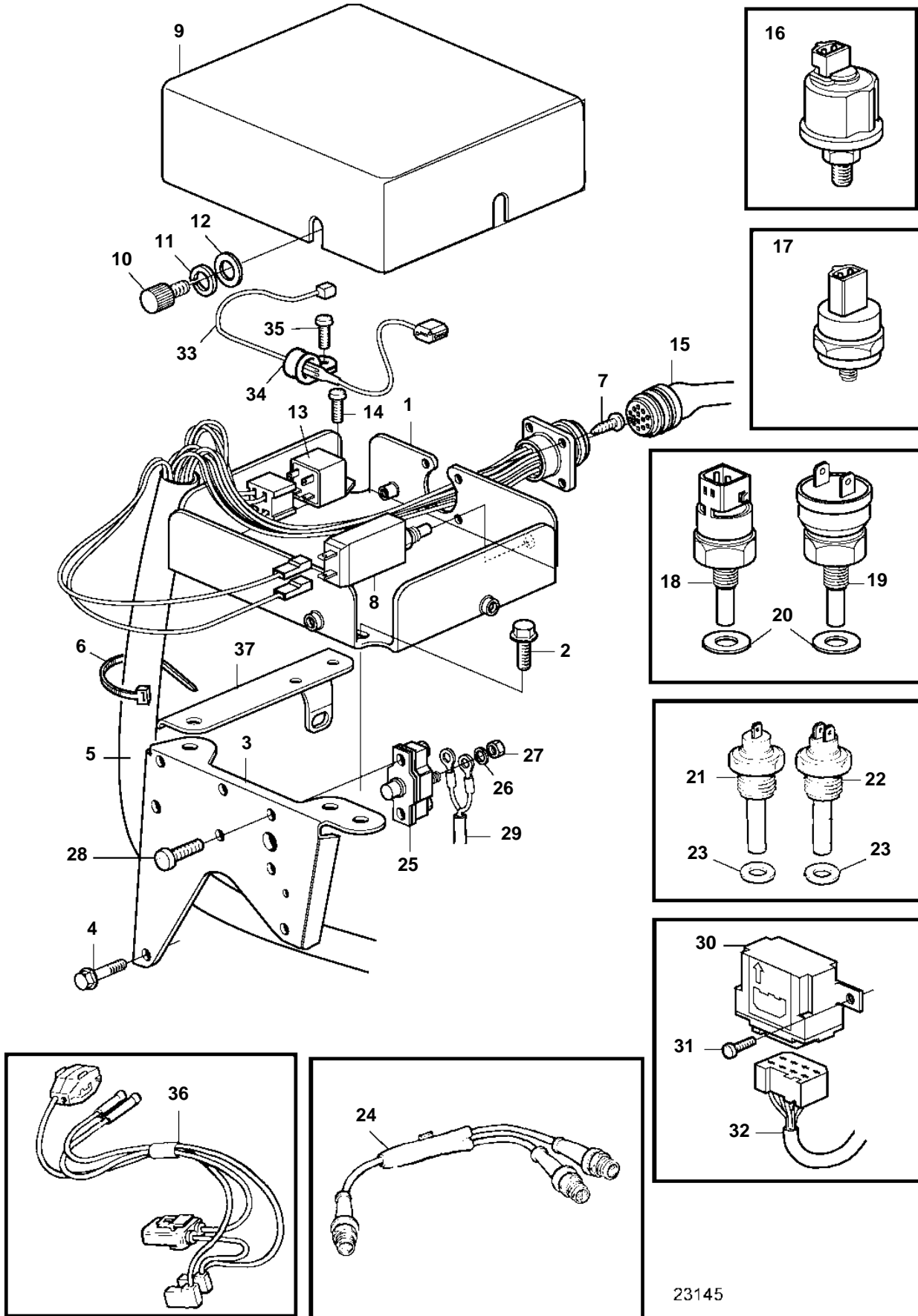


TMD31L-A, TAMD31P-A, TAMD31S-A, TAMD31L-A, TAMD31M-A, AD31P-A, AD31L-A



23145

TMD31L-A, TAMD31P-A, TAMD31S-A, TAMD31L-A, TAMD31M-A, AD31P-A, AD31L-A

REF	PART NO.	QTY	DESCRIPTION	SEE SEC.	NOTES
1	860417	1	Bracket		
2	948746	2	Flange screw		
3	3580668	1	Bracket		
4	946470	1	Flange screw		L=35mm
	948217	1	Flange screw		L=45mm
5	873550	1	Wiring harness		SN-2203126467. Replaced by 1pcs 873744, wiring harness, and 1pcs 873740, relay.
	873744	1	Cable harness		SN2203126468-
	873532	1	Wiring harness		SOLAS. Replaced by 1pcs 873745, wiring harness, and 1pcs 873740, relay.
	873745	1	Wiring harness		SOLAS
6	948211	X	Strip clamp		
7	955119	4	Screw		
8	966689	1	Fuse		24V. For 24V electrical system use 2pcs 966689, fuse.
9	860779	1	Cover		
10	846736	3	Lock screw		
11	941904	3	Spring washer		
12	960137	3	Washer		
13	873740	1	Relay		12V, 40A
	838955	1	Relay		24V, 50A
	873611	1	Relay		24V, 20A
	1324492	1	Relay		
14	968476	X	Flange screw		
15	846648	1	Extension cable		L=3,0m
	846649	1	Extension cable		L=5,0m
	846650	1	Extension cable		L=9,0m
16	866835	1	Pressure sensor, oil-engine		0-10bar
			Bulletin P-38-6-1	P-38-6-1-EN	Vibration Damping Kit
16	866836	1	Pressure sensor, oil-engine		ALT,0-10bar. For double instruments.
17	863169	1	Pressure monitor, oil-pressure		0,7bar
18	862250	1	Thermo monitor, coolant water temp.		24V 97°C, FOR 873532
19	873877	1	Thermo monitor, coolant water temp.		
20	957181	2	Gasket		
21	873066	1	Thermo monitor, coolant water temp.		12V 97°C
22	827151	1	Temperature sensor, coolant water temp.		12V 40-120°C
	840074	1	Temperature sensor, coolant water temp.		ALT,12V 40-120°C. 1-way.. For double instruments.
	843325	1	Temperature sensor, coolant water temp.		24V 120°C. 2-way.
23	11998	2	Gasket		
24	1140598	X	Y-koppling		Included in gasket kit, decarbonizing 276035.
25	856337	1	Fuse		AD31/SX
26		2	· Washer		
27		2	· Nut		
28	3853620	2	Screw		AD31/SX
29	873603	1	Cable kit, Cables and terminals	1963	AD31/SX
30	873112	1	Tilt sensor		SOLAS
31	968476	2	Flange screw		
32		1	Wiring harness		
33	873828	1	Resistor		
	873717	1	Resistor		SOLAS, LATER PROD
34	952627	1	Clamp		
35	968476	1	Flange screw		
36	873543	1	Cable kit		Cable kit 873543 is used as adapter between cable harness 873745 and thermo monitor 862250.
37	3581444	1	Bracket		