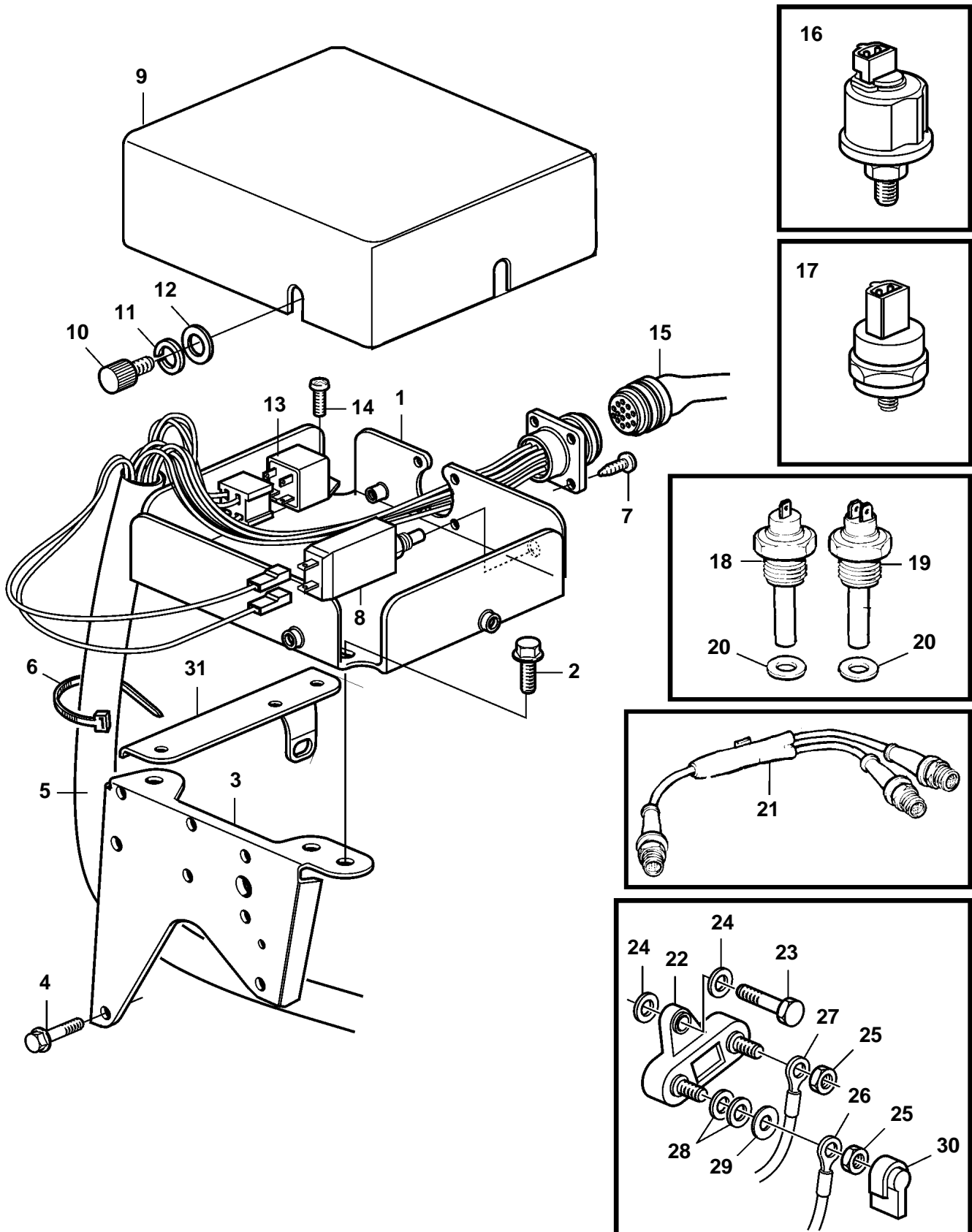


D41L-A, AD41P-A, AD41L-A



D41L-A, AD41P-A, AD41L-A

REF	PART NO.	QTY	DESCRIPTION	SEE SEC.	NOTES
1	860417	1	Bracket		
2	948746	2	Flange screw		
3	3580668	1	Bracket		
4	946470	1	Flange screw		L=35mm
	948217	1	Flange screw		L=45mm
5	873550	1	Wiring harness		Replaced by 1pcs 873744, wiring harness, and 1pcs 873740, relay.
	873744	1	Cable harness		SN2204115148-
6	948211	X	Strip clamp		
7	955119	4	Screw		
8	966689	1	Fuse		24V. For 24V electrical system use 2pcs 966689, fuse.
9	860779	1	Cover		
10	846736	3	Lock screw		
11	941904	3	Spring washer		
12	960137	3	Washer		
13	873740	1	Relay		12V, 40A
14	968476	X	Flange screw		
15	846648	1	Extension cable		L=3,0m
	846649	1	Extension cable		L=5,0m
	846650	1	Extension cable		L=7,0m
16	866835	1	Pressure sensor, oil-engine Bulletin P-38-6-1	P-38-6-1-EN	0-10bar Vibration Damping Kit
16	866836	1	Pressure sensor		ALT,0-10bar. For double steering positions.
17	863169	1	Pressure monitor, oil-pressure		0,7bar
18	873066	1	Thermo monitor, coolant water temp.		ALT, 12V 97°C
19	827151	1	Temperature sensor, coolant water temp.		40-120°C
	840074	1	Temperature sensor, coolant water temp.		ALT, 40-120°C. 1-way.. For double instruments.
20	11998	2	Gasket		
21	1140598	X	Y-koppling		For double steering positions.
22	856355	1	Fuse		PT
23	956100	1	Screw		
24	955893	2	Washer		
25	955781	2	Nut		
26		X	Cables and terminals	1963	PT
27		X	Cables and terminals		PT
28	955893	2	Washer		
29	960140	1	Washer		
30	1234326	1	Protective cap		
31	3581444	1	Bracket		