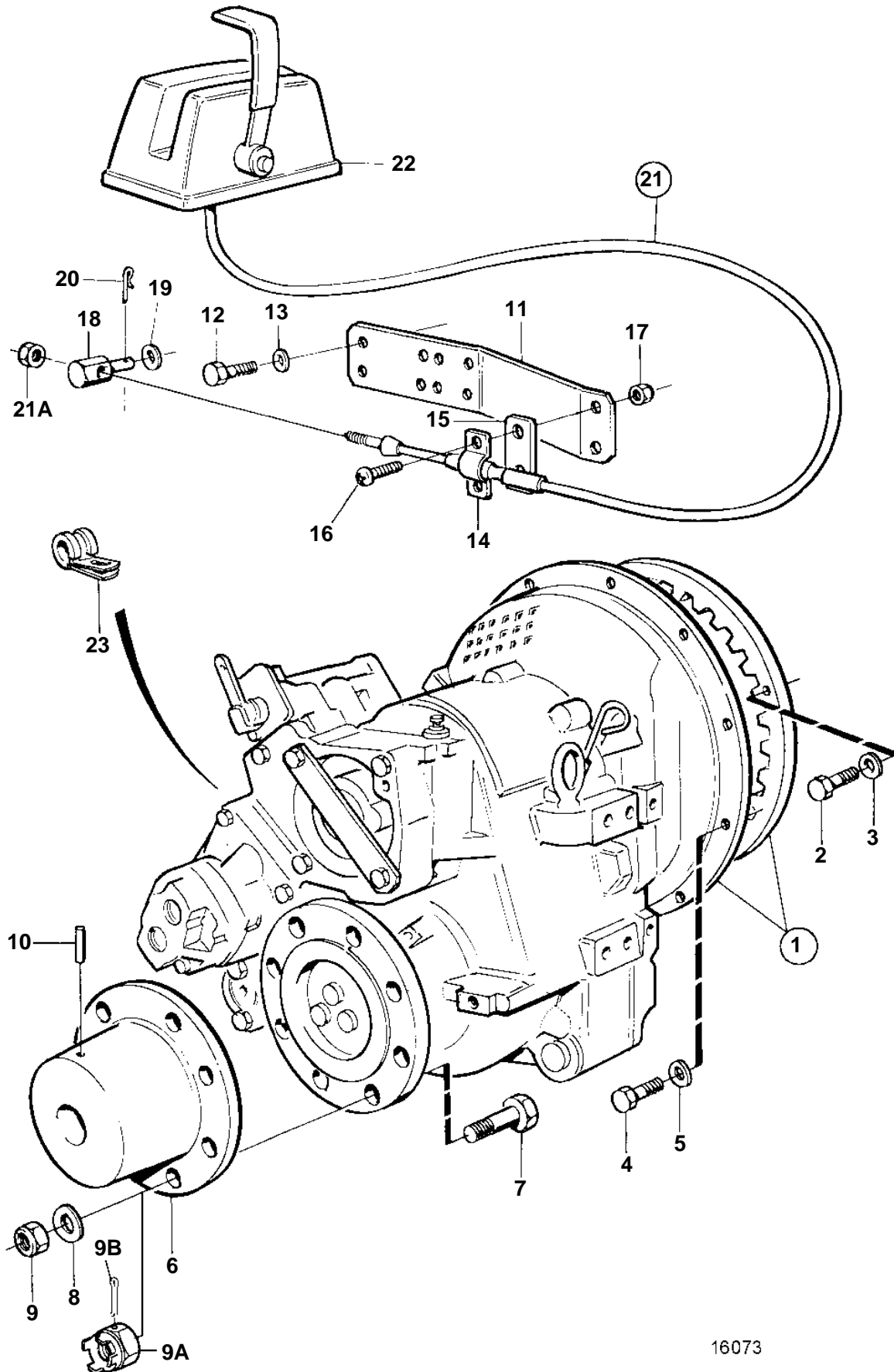


TAMD122A



16073

TAMD122A

REF	PART NO.	QTY	DESCRIPTION	NOTES
1		1	Reversing gear	RATIO 2.04:1
		1	Reversing gear	RATIO 2.54:1
			Comps. not spec.	
2	955562	8	Screw	SN-1101050532/XXXXXX
	955560	8	Screw	SN1101050533/XXXXXX-
3	940280	8	Spring washer	
4	940160	12	Screw	
5	941909	12	Spring washer	
6	844765	1	Clutch flange	SO
		8	Screw	L=70mm, FOR 955888
7	955764	8	Screw	SO L=76mm, FOR 950380
8		8	Washer	
9	950380	8	Lock nut	SO
9A		8	Nut	
9B	907861	8	Cotter pin	
10		2	Pin	
11	863123	1	Bracket	
12	955524	2	Screw	
13	941907	2	Spring washer	
14	819067	1	Brace	For control cable type 333.
	6853782	1	Clamp	For control cable type 443.
15	819068	1	Washer	
16	956079	2	Screw	
17	963104	2	Nut	
18	853217	1	Cube	
19	940191	1	Washer	
20	907824	1	Cotter pin	
21		X	Control cable	SEE GROUP 27
21A		1	· Nut	
22		X	Control	SEE GROUP 27
23	949746	1	Clamp	(946834). For cable, oil pressure sensor.