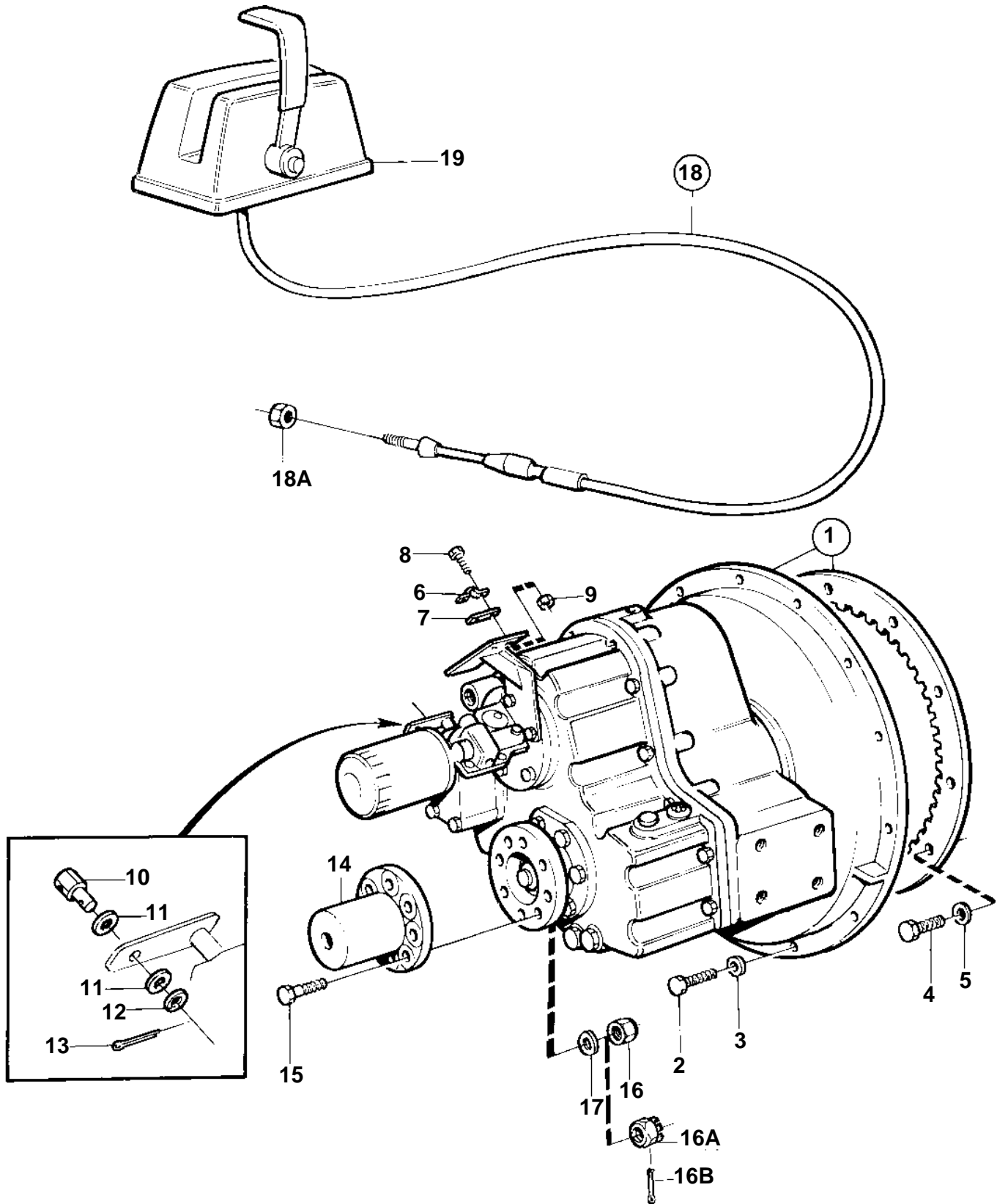


TAMD122A



16795

TAMD122A

REF	PART NO.	QTY	DESCRIPTION	NOTES
1		1	Reversing gear	RATIO 1.5:1
		1	Reversing gear	RATIO 1,8:1
		1	Reversing gear	RATIO 2.0:1
			Comps. not spec.	
2	940134	12	Screw	
3	941909	12	Spring washer	
4	956619	8	Screw	L=57mm
	955562	8	Screw	L=38mm
5	940280	8	Spring washer	
6	819067	1	Brace	For control cable type 333.
	6853782	1	Clamp	For control cable type 443.
7	819068	1	Washer	
8		2	Screw	
9	951672	2	Nut	
10	853217	1	Cube	
11	940191	2	Washer	
12	949607	1	Spring washer	
13	907824	1	Cotter pin	
14	863994	1	Clutch flange	SO
15	955738	8	Screw	L=57mm, FOR 955886
	955739	8	Screw	L=64mm, FOR 950378
16	950378	8	Nut	
16A	955886	8	Nut	
16B	907861	8	Cotter pin	
17	941912	8	Spring washer	
18		X	Control cable	SEE GROUP 27
18A		1	• Nut	
19		X	Control	SEE GROUP 27