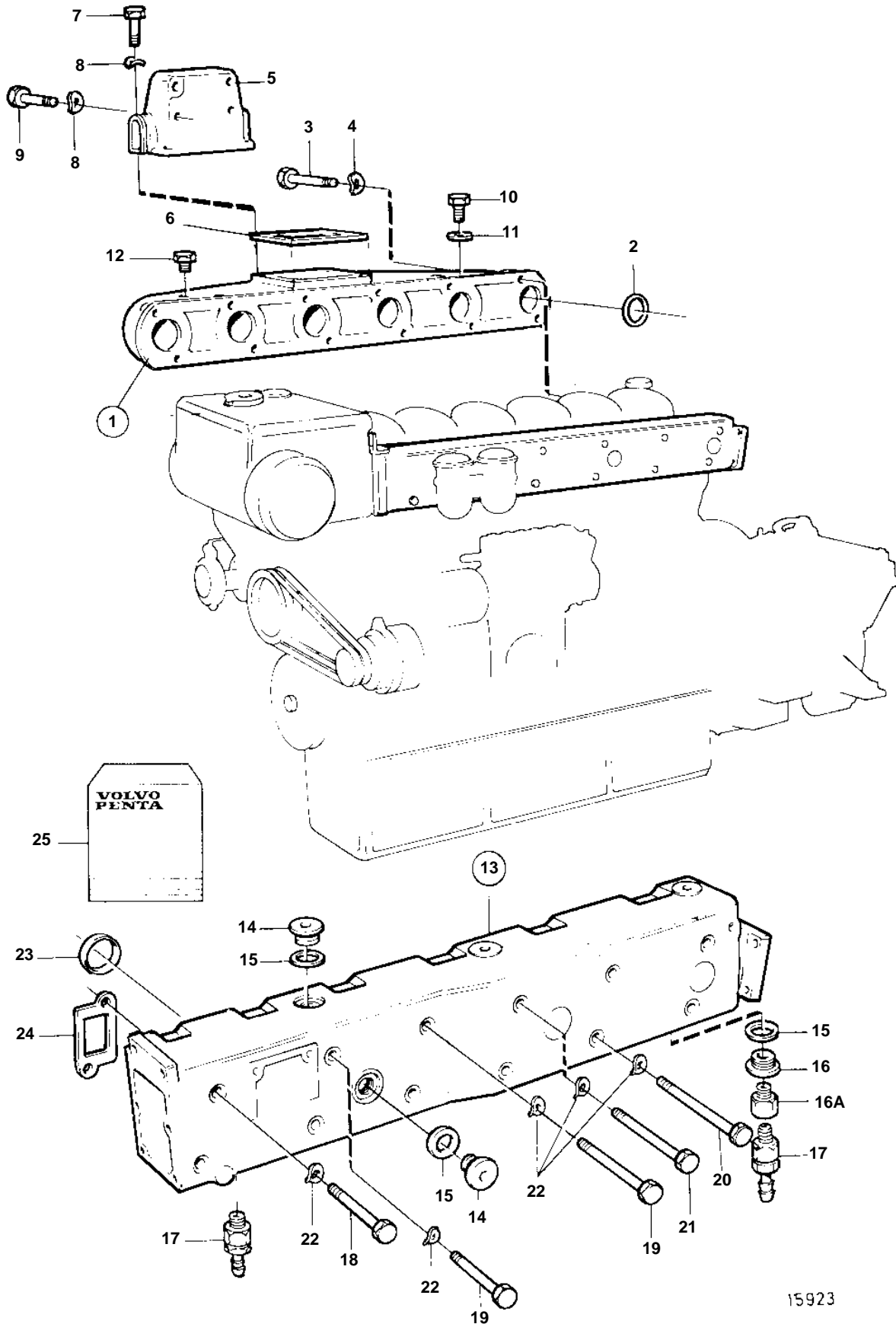


TAMD122A



15923

TAMD122A

REF	PART NO.	QTY	DESCRIPTION	NOTES
1	468988	1	Inlet pipe	
2	469830	6	Rubber ring	
3	955530	4	Screw	L=83mm
	955533	4	Screw	L=102mm
	940161	1	Screw	L=45mm
	940136	1	Screw	L=64mm
	945749	2	Screw	L=190mm. For aftercooler.
4	941907	12	Spring washer	
	976944	2	Washer	FOR SCREW 945749
5	845594	1	Housing	
6	424616	1	Gasket	
7	956570	4	Screw	
8	941907	6	Spring washer	
9	955531	2	Screw	
10	942624	1	Screw	
11	947620	1	Gasket	
12	479979	1	Plug	Without smoke eliminator.
13	836841	1	Exhaust pipe	REPLACED BY 3825359
	3825359	1	Exhaust pipe	
14	467367	12	· Plug	
15	469328	12	· Gasket	
16	821335	1	· Plug	FOR 3825359
16A	479954	1	Nipple	
17	949918	2	Drain cock	
18	959797	4	Screw	L=140mm
19	941251	2	Screw	L=159mm
	959800	1	Screw	L=178mm. When jacketed fuel pipes are installed.
20	941252	5	Screw	L=171mm
21	102040	1	Screw	L=190mm
22	942336	12	Spring washer	
23	822575	6	Sealing ring	
24	470534	6	Gasket	
25	876346	1	Gasket kit	For induction manifold.
	876410	1	Gasket kit	For exhaust manifold.