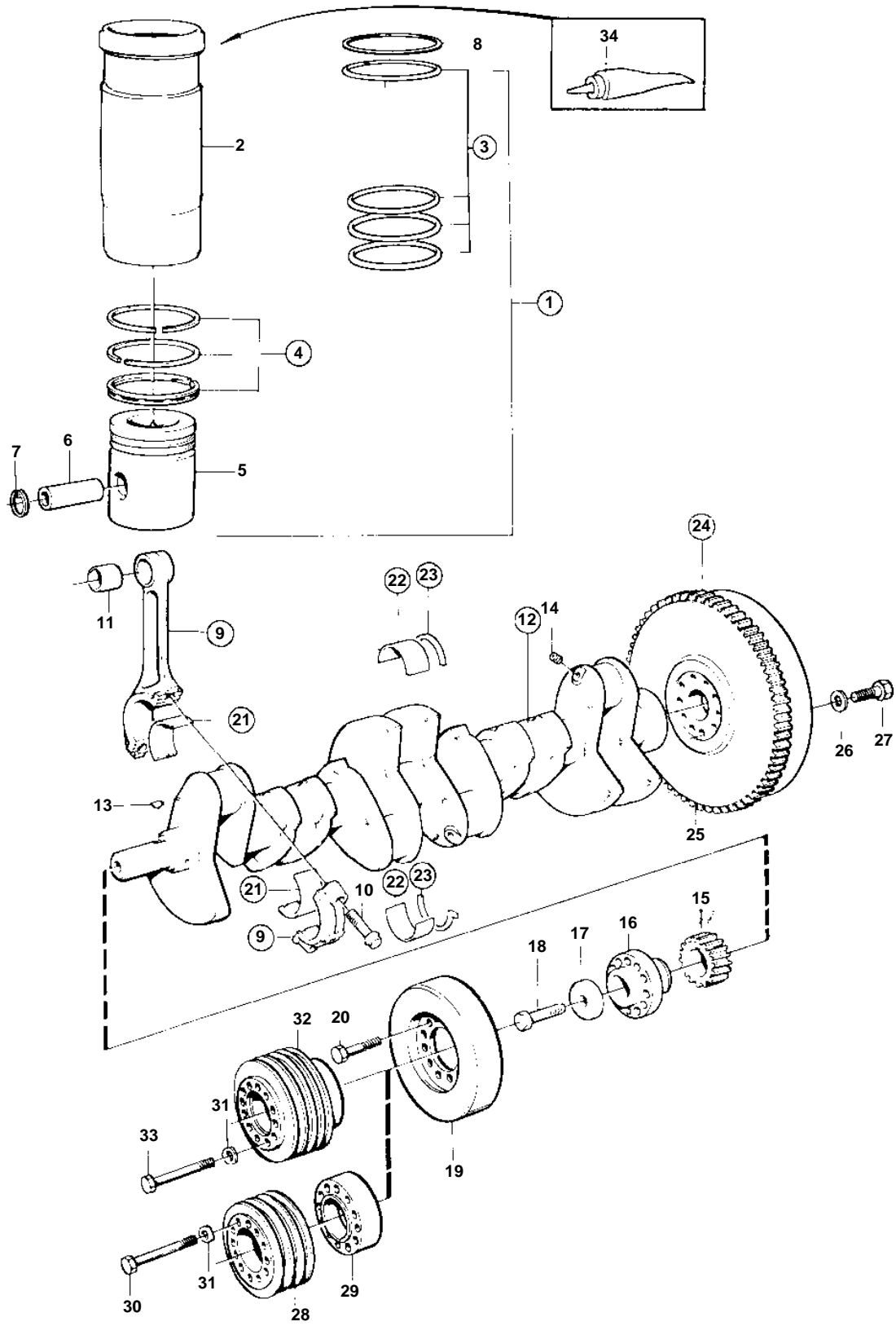


TMD122A, TAMD122A



15804

## TMD122A, TAMD122A

REF	PART NO.	QTY	DESCRIPTION	SEE SEC.	NOTES
1	3825611	6	Cylinder liner kit		KEYSTONE RING. Replaced by 3836125.
	3836125	6	Cylinder liner kit		When changing cylinder lines on engines older then SN-XXXX/254148 should all lines changes.
2		6	· Cylinder liner		
3	270950	6	· Sealing ring kit		
4	3825614	6	· Piston ring kit		KEYSTONE RING
	876799	6	· Piston ring kit		For cylinder liner 3822992 and 3836125.
5		6	· Piston		
6	8193837	6	· Piston pin		(479875)
7	423124	12	· Lock ring		
8	468271	X	Shim		TH=0,20mm
	468272	X	Shim		TH = 0,30mm
	468273	X	Shim		TH = 1,00mm
9	846864	6	Connecting rod		
10	1545479	12	· Screw		
11	470434	6	· Bushing		
12	3830814	1	Crankshaft, 14 hole for flywheel		SNXXXXXXXXXXXX/190309- CLASSIFIED (865032)
13	422253	1	· Woodruff key		
14	978130	6	· Plug		
15	423080	1	Crankshaft gear		
			Bulletin 45-01	45-01-EN	Timing Gears, 71, 100, 121
16	470595	1	Hub		
17	422124	1	Washer		
18	941494	1	Screw		
19	849622	1	Vibration damper		
20	956601	12	Screw		
21	270130	6	Big end bearing kit		STD D
	270131	6	Big end bearing kit		U.S=0,25mm
	270132	6	Big end bearing kit		U.S=0,50mm
	270133	6	Big end bearing kit		U.S=0,75mm
	270134	6	Big end bearing kit		
22	270449	7	Main bearing kit		STD D
	270450	7	Main bearing kit		U.S=0,25mm
	270451	7	Main bearing kit		U.S=0,50mm
	270452	7	Main bearing kit		U.S=0,75mm
23	3093651	1	Thrust washer kit		STD D
	3093652	1	Thrust washer kit		O.S=0,10mm
	3093653	1	Thrust washer kit		O.S=0,20mm
24	864997	1	Flywheel, 14 hole		SNXXXXXXXXXXXX/190309-
25	420794	1	· Gear ring		
26	467773	14	Washer		SNXXXXXXXXXXXX/190309-
27	478717	14	Screw		SNXXXXXXXXXXXX/190309-
28	823082	1	Pulley		3-GROOVES, 158mm. Not in comb with PTO front and right hand side mounted.
29	823083	1	Spacer ring		
30	959804	12	Screw		
31	941909	12	Spring washer		
32	837476	1	Pulley		4-GROOVES, 182mm. Not in comb with PTO front and right hand side mounted.
33	959188	12	Screw		
34	1161231	X	Sealant		304ml
	1161277	X	Sealant		10g