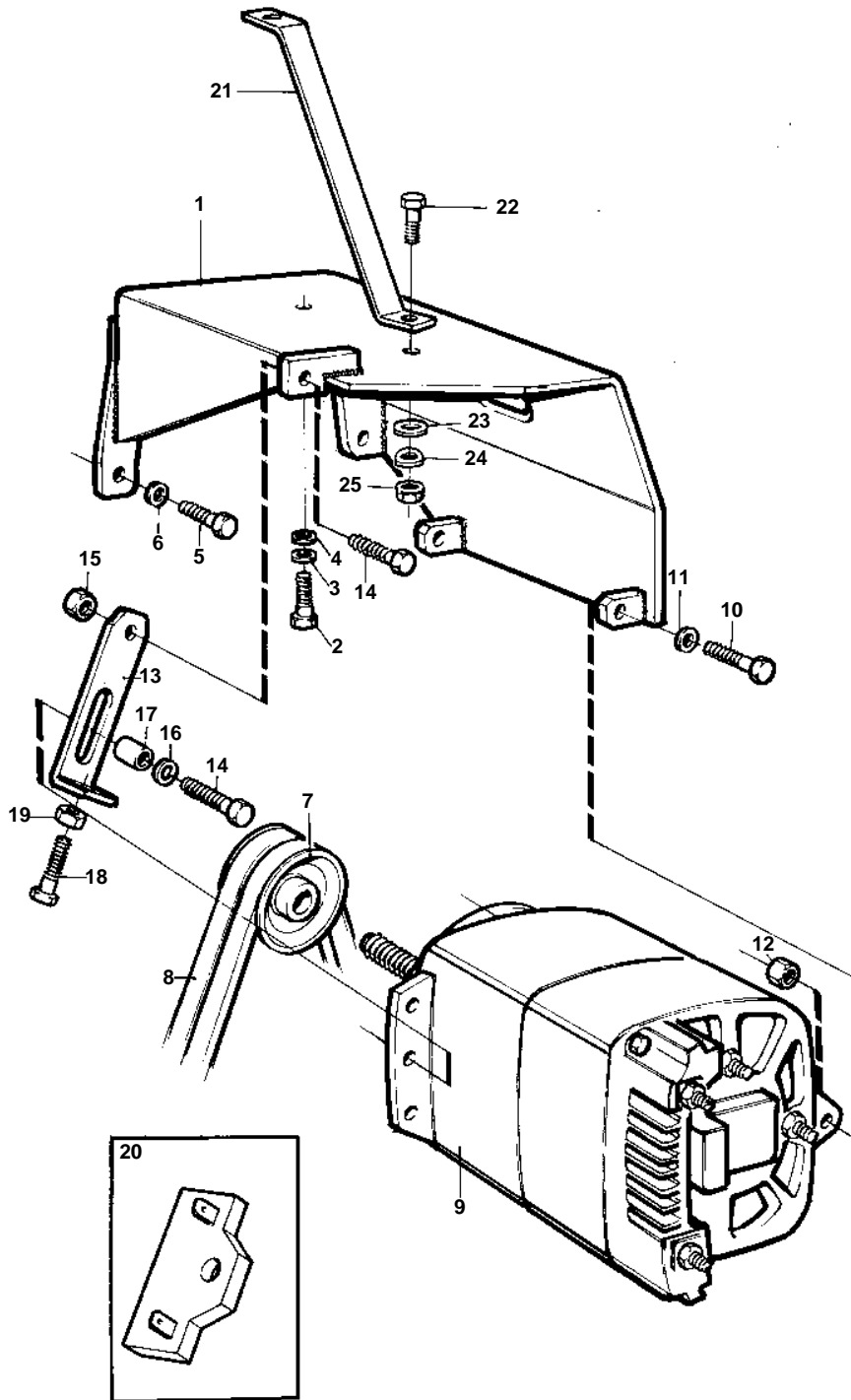


TMD122A, TAMD122A, TAMD122P-A, TAMD122P-B, TAMD122P-C



15371

TMD122A, TAMD122A, TAMD122P-A, TAMD122P-B, TAMD122P-C

REF	PART NO.	QTY	DESCRIPTION	SEE SEC.	NOTES
1	849764	1	Bracket		
2	940115	2	Screw		
3	942336	2	Spring washer		
4	960142	2	Washer		
5	955536	4	Screw		
6	942336	4	Spring washer		
7	849773	1	Pulley		
8	862488	1	V-belt		
9	849748	1	Alternator		
	3803499	1	Alternator,exch		Exchange unit
				596	
10	955564	2	Screw		
11	955898	2	Washer		
12	950356	2	Lock nut		
13	849791	1	Tensioner		
14	955562	2	Screw		
15	950356	1	Lock nut		
16	940280	1	Spring washer		
17	823196	1	Spacer sleeve		
18	949366	1	Screw		
19	971071	1	Nut		
20		1	Control resistance		
21	849792	1	Stay, therm. housing	SO	KC
22	955535	1	Screw		
23	960148	1	Washer		
24	941908	1	Spring washer		
25	955827	1	Nut		