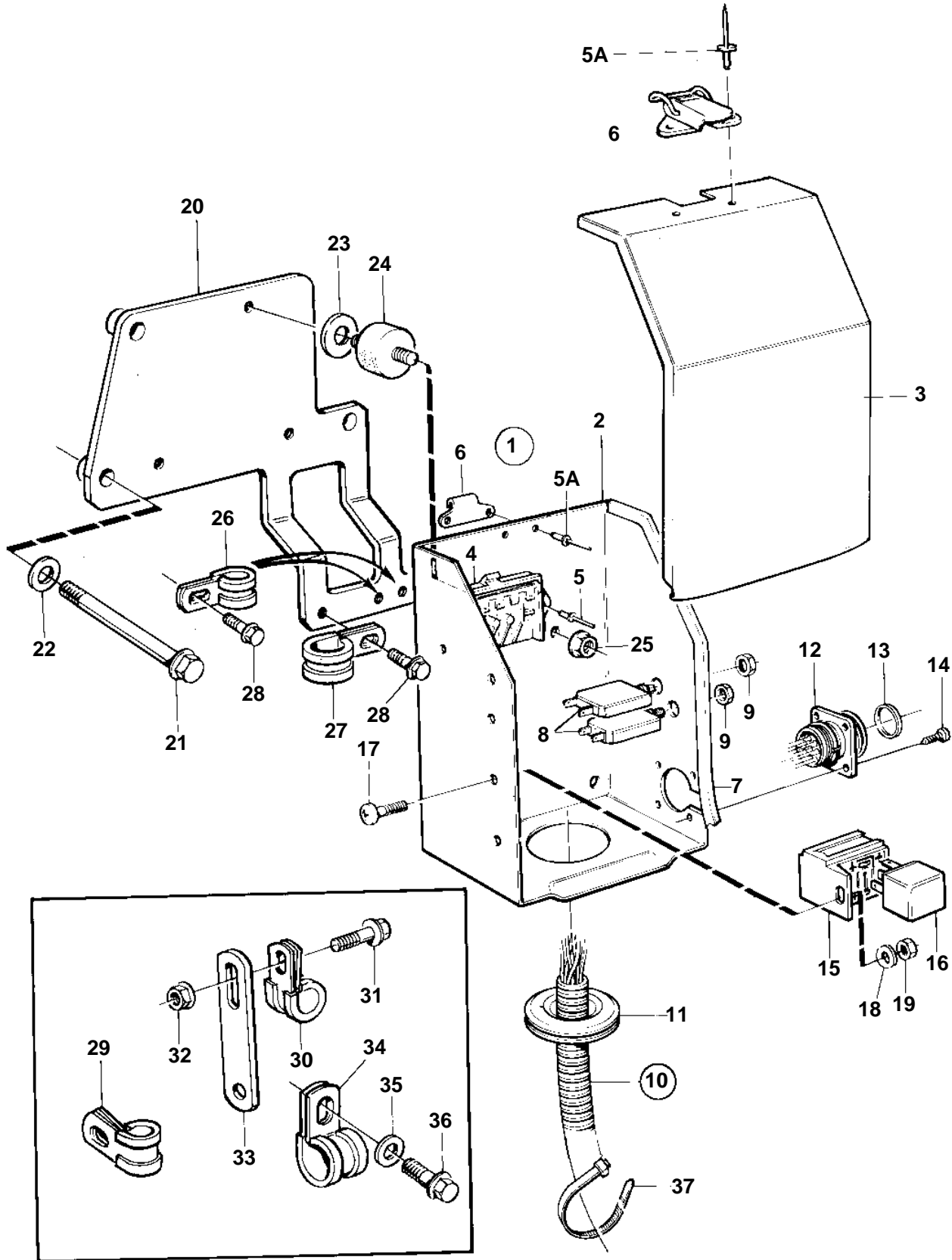


TAMD122P-B, TAMD122P-C



16724

TAMD122P-B, TAMD122P-C

REF	PART NO.	QTY	DESCRIPTION	NOTES
1	3825254	1	Electrical distribut	
2		1	• Box	
3	3825253	1	• Cover	
4	1234048	1	• Lower section	
5	942670	2	• Rivet	
5A	965592	4	• Rivet	
6	3825257	1	• Tension lock	
7	1214306	1	• Protecting moulding	
8	966689	2	Fuse	
9		2	• Nut	
10	873724	1	Wiring harness	
	873987	1	Wiring harness	TAMD122P-C SN1101056862-
11	943920	1	• Protecting plug	
12	846611	1	• Sleeve connector, instrument panel	
13	846615	1	• Sealing ring	
14	955119	4	Screw	
15	977184	3	Tab housing	
16	20374662	3	Relay	24V (24V (9518230)
17	956075	4	Screw	
18	941905	4	Spring washer	
19	955780	4	Nut	
20	3826206	1	Bracket	
21	102040	3	Screw	
22	942336	3	Spring washer	
23	960140	3	Washer	
24	3574797	3	Rubber cushion	
25	949278	3	Lock nut	M6
26	949746	2	Clamp	
27	952635	1	Clamp	
28	967949	2	Screw	M6x12mm
29	949747	1	Clamp	
30	952635	3	Clamp	
31	967949	2	Screw	M6x12mm
32	945407	2	Flange nut	M6
33	843711	1	Bracket	On the timing gear casing.
34	947827	4	Clamp	
35	942336	2	Spring washer	
36	940133	2	Screw	3/8UNCx16
37	948211	9	Strip clamp	