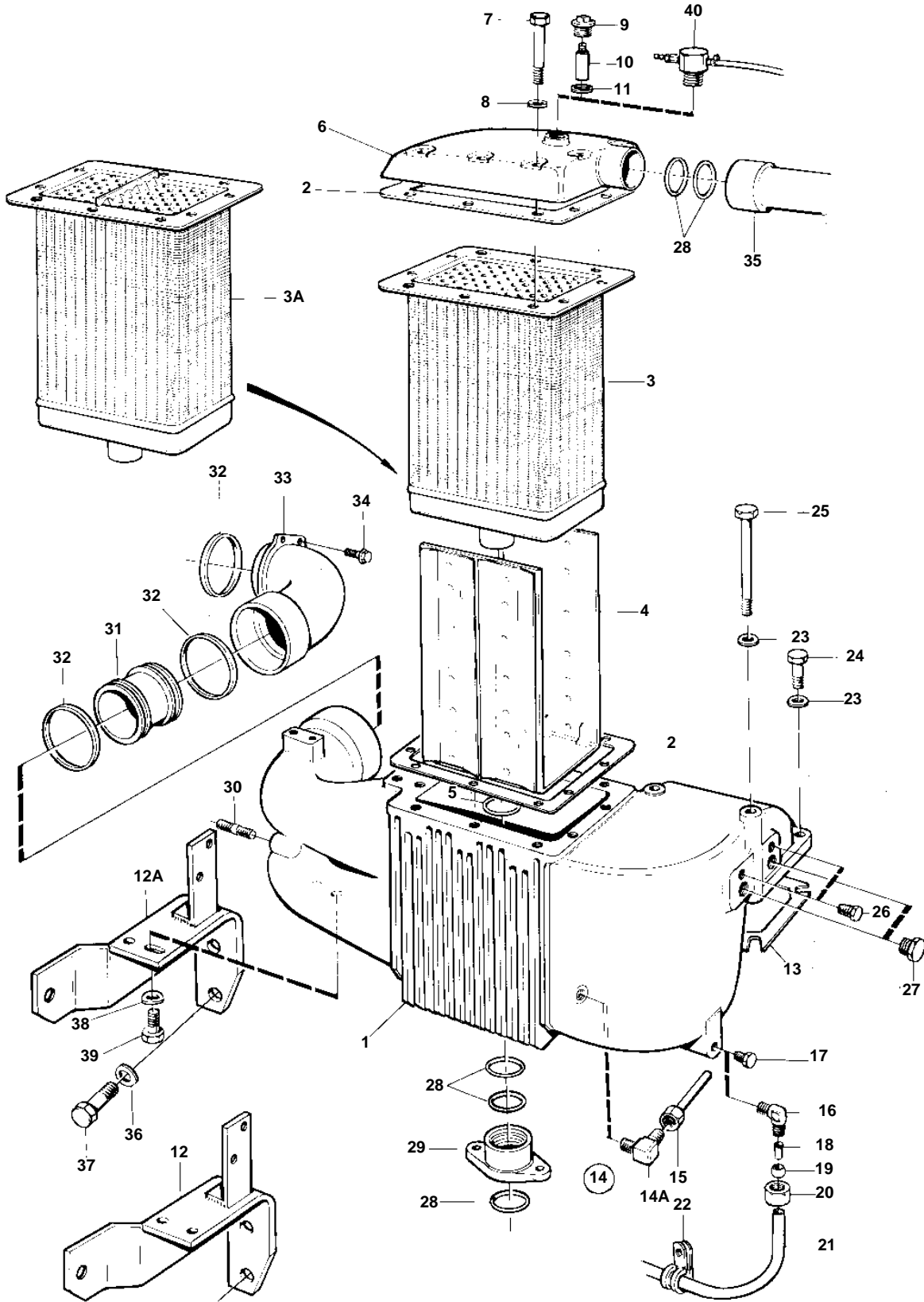


TAMD122P-A



TAMD122P-A

REF	PART NO.	QTY	DESCRIPTION	SEE SEC.	NOTES
1	866897	1	Housing		REPL BY 3826334
2	3827399	2	Gasket		
3	866719	1	Insert		REPL BY 3826198
4	3825412	1	Sealing plate		REPL BY 3826324
5	1664473	1	O-ring		
6	843590	1	Cover		For engines with heat exchanger.
	836014	1	Cover		For engines with ceel cooling.
7	959952	10	Screw		
8	941670	10	Washer		
9	823662	1	Plug		For engines with heat exchanger.
10	823661	1	Zinc anod		For engines with heat exchanger.
11	836169	1	Gasket		For engines with heat exchanger.
12	866920	1	Bracket		REPL BY 3826570
13	424618	1	Gasket		
16	954385	1	Elbow nipple		
17	479979	1	Plug		
18	944717	1	Sleeve		
19	954364	1	Fitting		
20	954356	1	Cap nut		
21	945460	1	Plastic pipe		L=710mm
			Turbo pressure sender		
22	952623	1	Clamp		
23	941907	4	Spring washer		
24	940159	2	Screw		
25	192546	2	Screw		
28	925092	5	O-ring		
29	843565	1	Pipe connection		
30	953259	1	Stud		
31	1661276	1	Intermediate pipe		
32	3825197	3	Sealing ring		
33	866631	1	Connection pipe		
34	946329	2	Flange screw		
35	866756	1	Pipe, heat exchanger		
36	941912	2	Spring washer		
37	955590	2	Screw		
38	942336	2	Spring washer		
39	955535	2	Screw		
40			Connector	2971	For engines with ceel cooling.