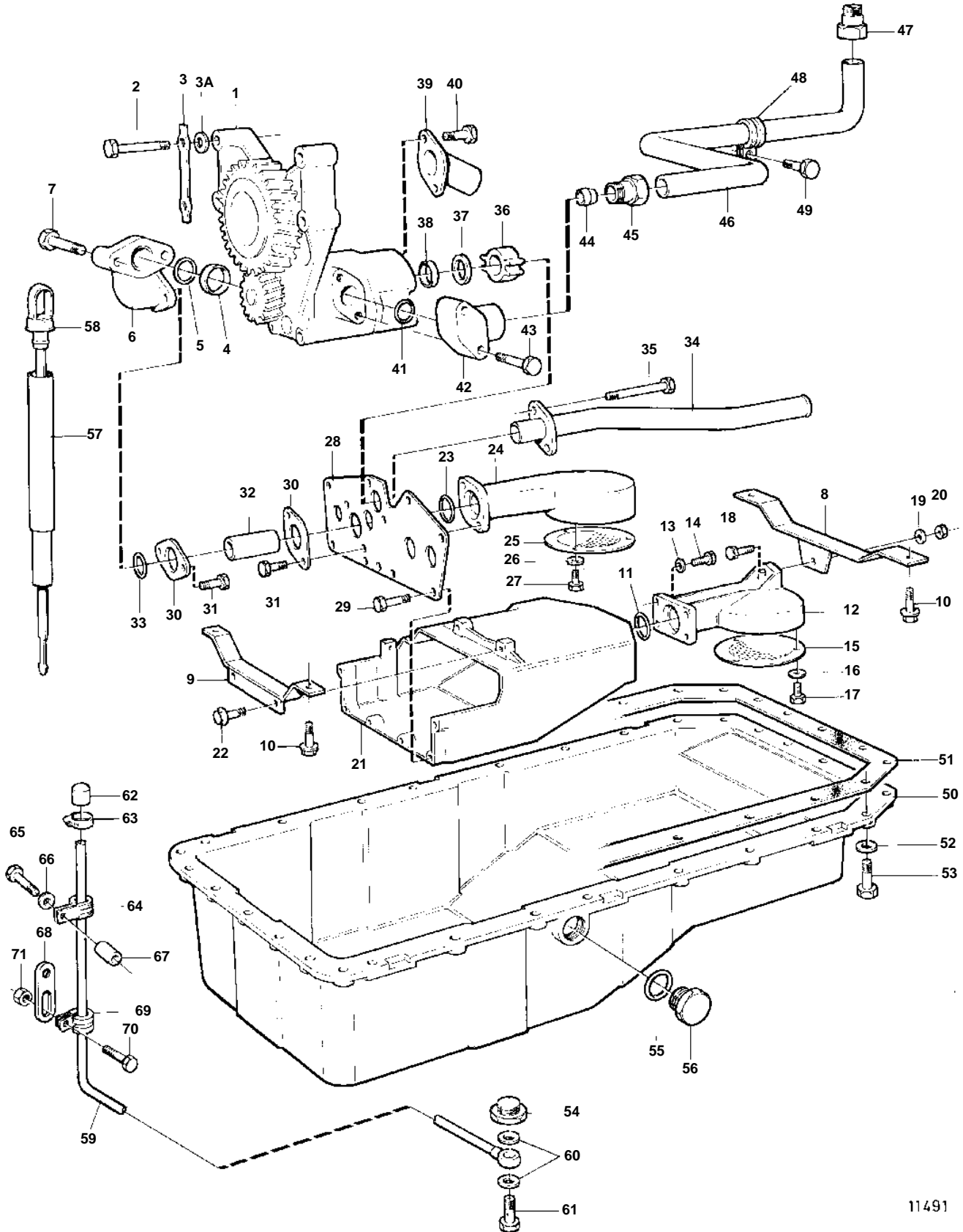


TAMD122C, TAMD122D



11491

TAMD122C, TAMD122D

REF	PART NO.	QTY	DESCRIPTION	SEE SEC.	NOTES
1	4778318	1	Oil pump	1830	
2	955538	4	Screw		
3	190529	2	Lock washer		EARLY TYPE
3A	942336	4	Spring washer		LATE TYPE
4	4778328	1	Sleeve		
5	944126	1	O-ring		
6		1	Connector		
7	965179	2	Flange screw		
8		1	Bracket		
9		1	Bracket		
10	942402	4	Flange screw		
11	944126	1	O-ring		
12		1	Strainer housing		
13	955894	4	Washer		
14	940142	4	Screw		
15		1	Strainer		
16	955948	3	Lock washer		
17	955268	3	Screw		
18	945444	1	Flange screw		
19	955894	1	Washer		
20	946036	1	Lock nut		
21		1	Oil reservoir		
22	945444	2	Flange screw		
23	944126	1	O-ring		
24	4778466	1	Strainer housing	SO	
25		1	Strainer		
26	955948	3	Lock washer		
27	955268	3	Screw		
28		1	Plate		
29	946440	6	Flange screw		
30		2	Flange		
31	945444	4	Flange screw		
32		1	Tube		
33	944126	1	O-ring		
34		1	Suction pipe		
35	4778436	2	Screw		
36		1	Spacer		
37		1	Spacer		
38	470383	1	Sealing ring		
39	4778425	1	Tube		
40		2	Screw		
41	949657	1	O-ring		
42	4778338	1	Flange		
43	965216	2	Screw		
44	956973	1	Ferrule		
45	470377	1	Fitting		
46	4778340	1	Tube	SO	
47	466908	1	Fitting		
48	1545432	1	Clamp		
49	946440	1	Flange screw		
50	4778350	1	Oil pan	SO	
51	470745	1	Gasket		
52	941907	30	Spring washer		
53	940186	30	Screw		
54	864168	1	Plug		
55	925064	1	O-ring		
56	960638	1	Plug		
57	848700	1	Tube		
58	4772191	1	Oil dipstick		
59	864167	1	Tube		For electrical oil drain pump.
60	11996	2	Gasket		
61	190713	1	Hollow screw		

