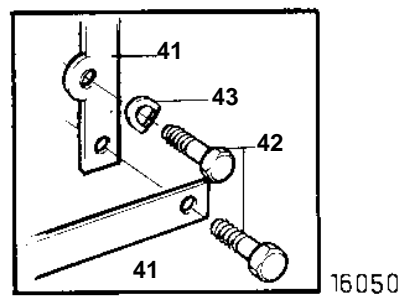
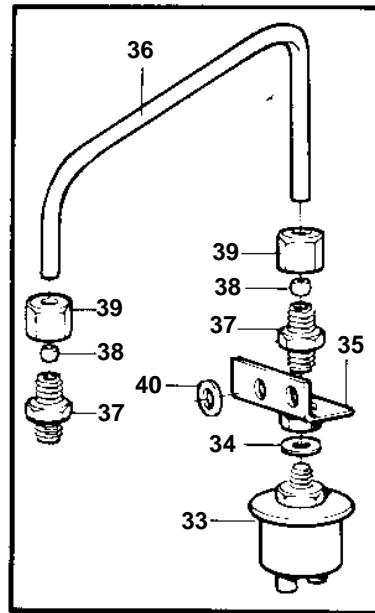
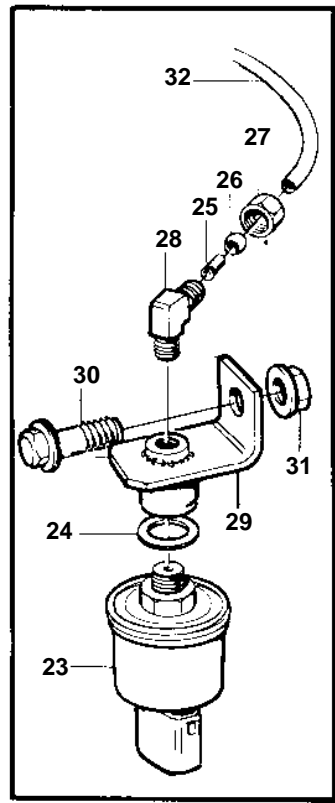
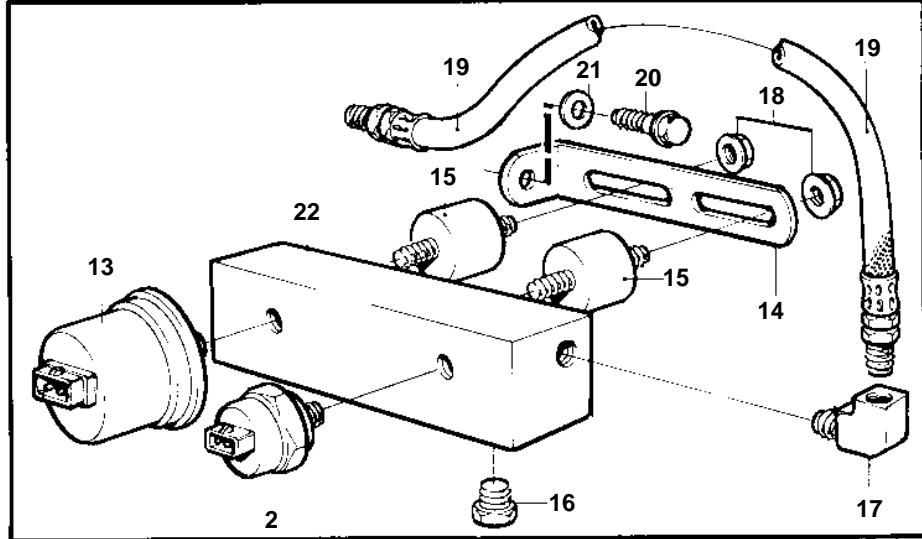
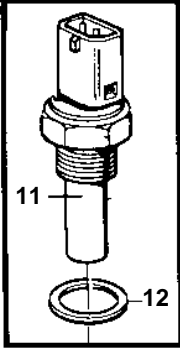
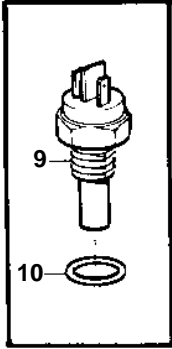
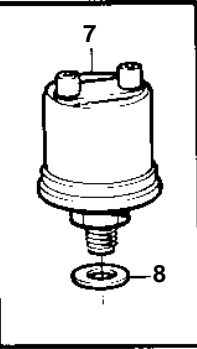
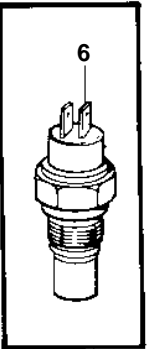
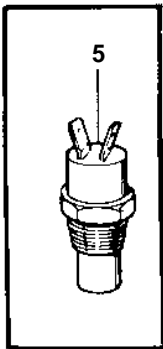
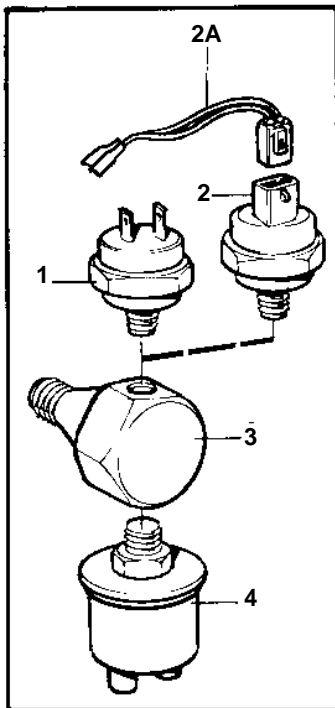


TMD121C, TAMD121C, TAMD121D, TAMD122C, TAMD122D



TMD121C, TAMD121C, TAMD121D, TAMD122C, TAMD122D

| REF | PART NO. | QTY | DESCRIPTION | NOTES |
|-----|----------|-----|---|--|
| 1 | 864284 | 1 | Pressure monitor, oil pressure-engine | SN-1101051156/XXXXXX |
| 2 | 863169 | 1 | Pressure monitor, oil pressure-engine | SN1101051157/XXXXXX- |
| 2A | 873601 | 1 | Cable | SN1101051157/XXXXXX- |
| 3 | 942490 | 1 | T-nipple, cylinder block | |
| 4 | 866833 | 1 | Pressure sensor, oil-engine | (843231) 0-10 bar |
| | 866834 | 1 | Pressure sensor, oil-engine | 0-10 bar. For double instruments. |
| 5 | 822858 | 1 | Thermo monitor, coolant water temp. | |
| 6 | 827150 | 1 | Temperature sensor, coolant water temp. | |
| | 837044 | 1 | Temperature sensor, coolant water temp. | For double instruments. |
| 7 | 866840 | 1 | Pressure sensor, reverse gear | (837781) 0-30 bar. For double instruments. |
| 8 | 947624 | 1 | Gasket | |
| 9 | 354671 | 1 | Tachometer sensor | |
| 10 | 925059 | 1 | O-ring | |
| 33 | 866838 | 1 | Pressure sensor, turbo | To be mounted on the charge air cooler. |
| 34 | 947624 | 1 | Gasket | |
| 42 | 950158 | 2 | Screw | L=19mm |
| | 955588 | 1 | Screw | L=25mm |
| | 940114 | 1 | Screw | L=22mm |
| | 955523 | 1 | Screw | L=16mm |
| 43 | 941912 | 1 | Spring washer | I.D=17mm |
| | 942336 | 1 | Spring washer | I.D=10mm |
| | 941907 | 1 | Spring washer | I.D=8.4mm |