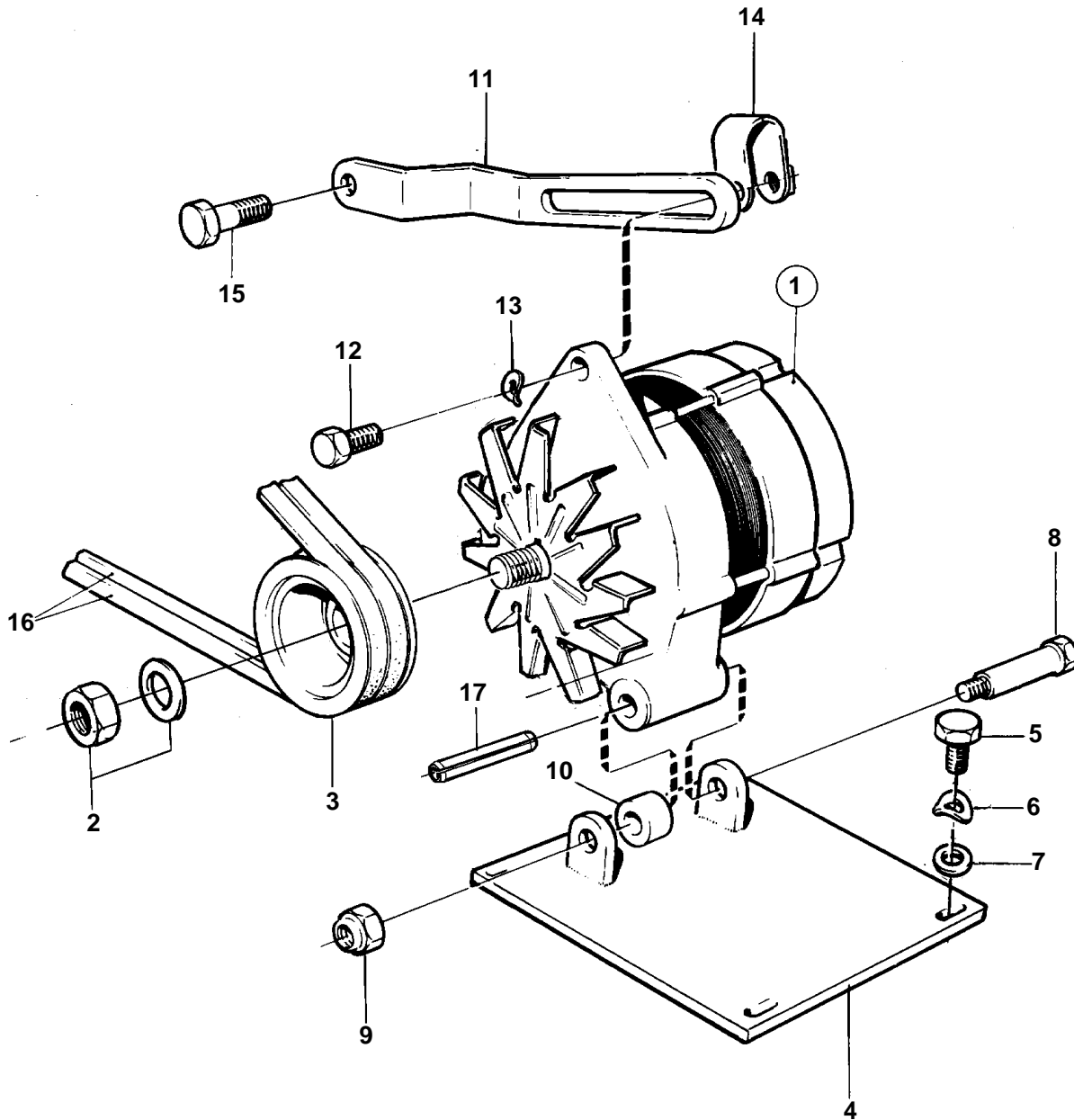


TMD121C, TAMD121C, TAMD121D, TAMD122C, TAMD122D



15370

TMD121C, TAMD121C, TAMD121D, TAMD122C, TAMD122D

REF	PART NO.	QTY	DESCRIPTION	SEE SEC.	NOTES
1	845940	1	Alternator		SN-7794/XXXXXX. 28V 55A. For 24 voltage electric system.
				1382	
	849563	1	Alternator		SN-1101019500/XXXXXX. 28V 55A. For 24 voltage electric system.
				1465	
	863955	1	Alternator		SN-1101038358/XXXXXX. 28V 60A. For 24 voltage electric system.
			Bulletin 45-02A	45-02A-EN	Alternator
1				1383	
	872021	1	Alternator		SN1101038359/XXXXXX-. 28V 60A. For 24 voltage electric system.
				127	
2		1	• Mounting kit	127	
3	841812	1	Pulley		
4	823935	1	Bracket		
5	940135	4	Screw		
6	941907	4	Spring washer		
7	955894	4	Washer		
8	822580	1	Screw		
9	950355	1	Nut		
10	912151	1	Spacer ring		
11	846831	1	Tensioner		
12	955298	1	Screw		
13	941907	1	Spring washer		
14	466735	1	Tensioning eyelet		
15	955536	1	Screw		
16	966870	1	V-belt kit		
17	1610144	1	Pin		SN1101038359/XXXXXX-