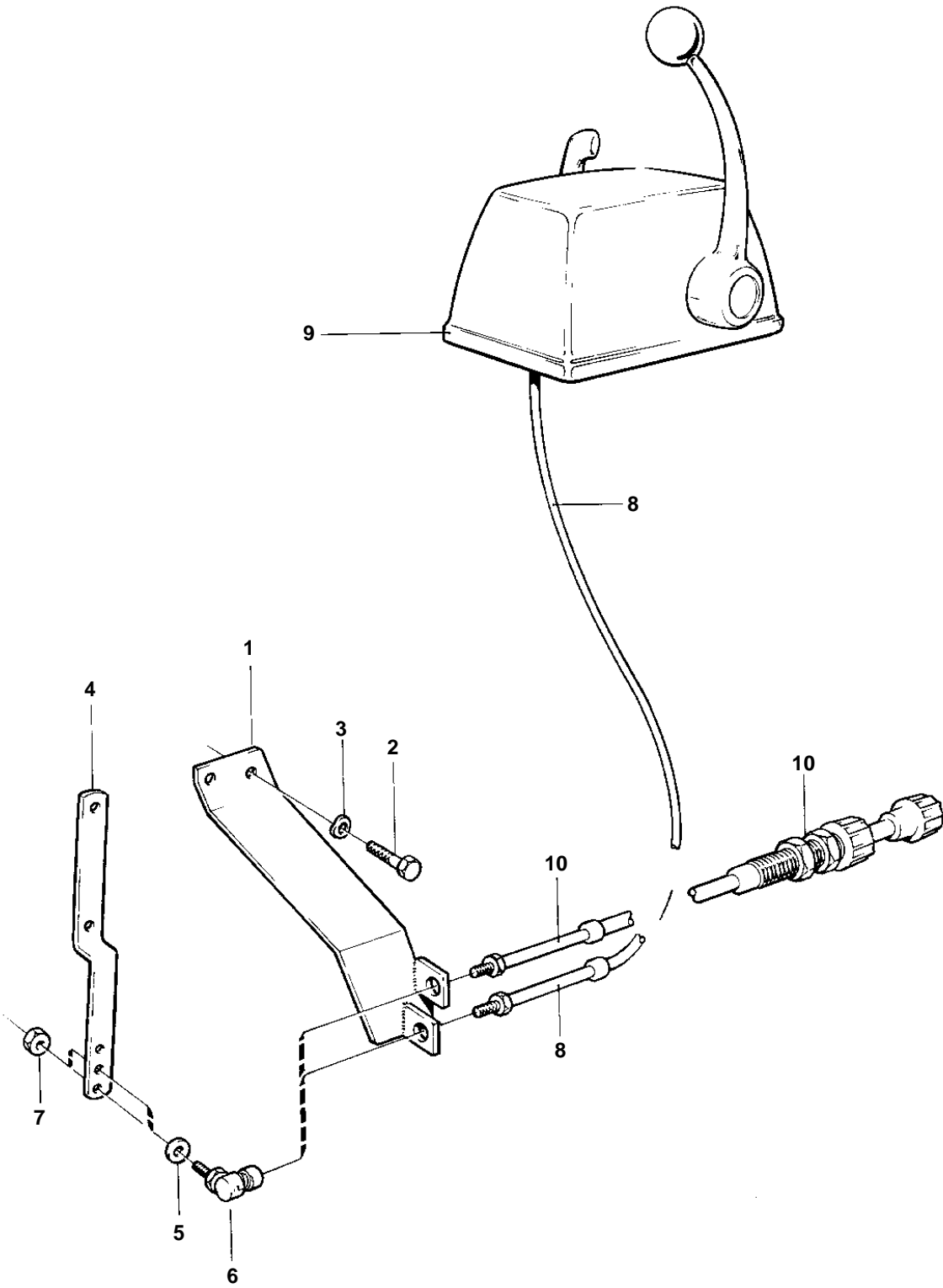


TMD121C



4476

TMD121C

REF	PART NO.	QTY	DESCRIPTION	SEE SEC.
1		1	Control attachment	
2	940115	2	Screw	
3	942336	2	Spring washer	
4	823695	1	Control arm	
5	955892	2	Washer	
6	842782	2	Ball joint	
7	955856	2	Nut	
8		X	Control cable	231
9		1	Control	
10		1	Control	