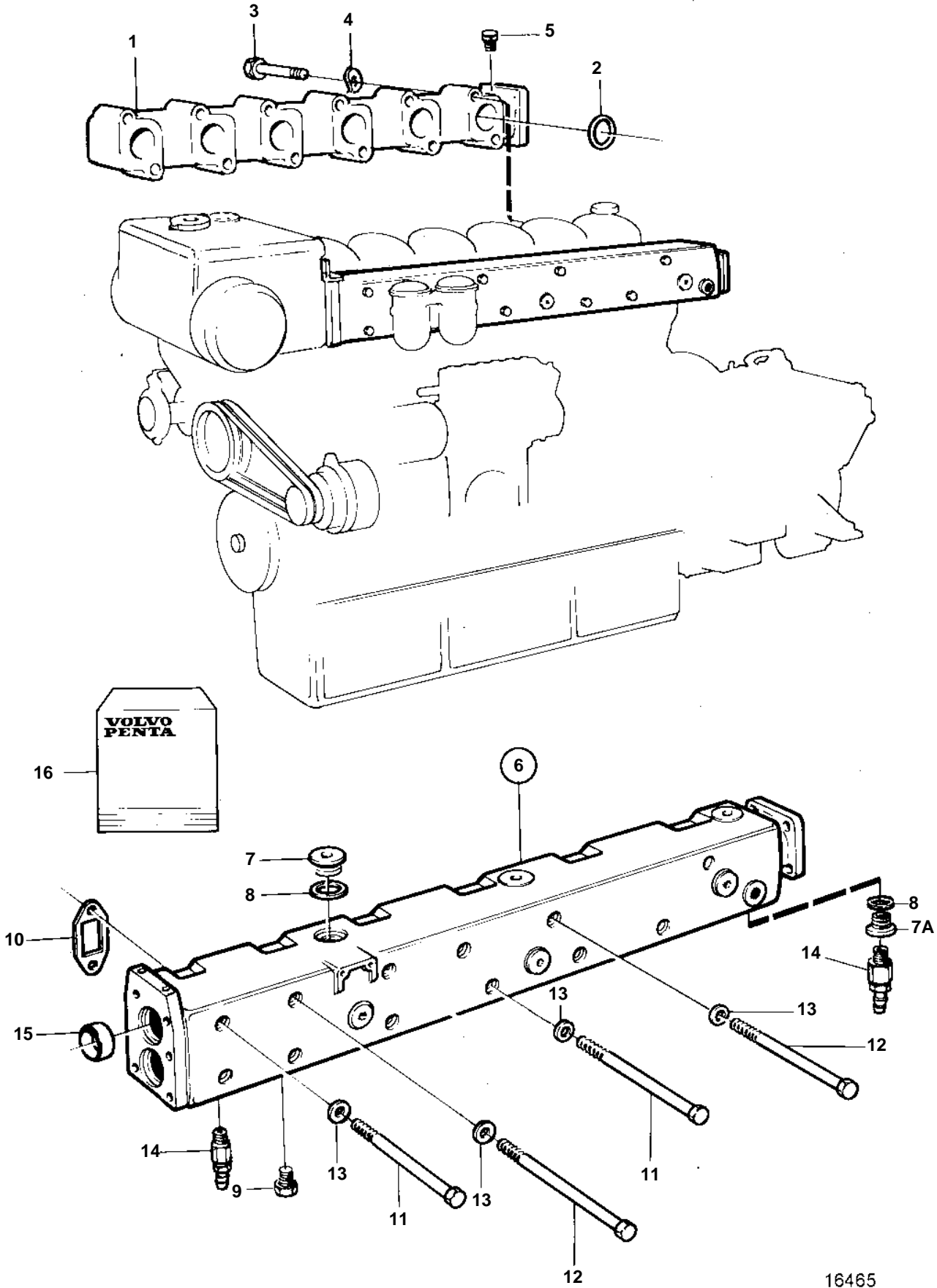


TMD102A



16465

TMD102A

REF	PART NO.	QTY	DESCRIPTION	NOTES
1	837560	1	Inlet pipe	
2	469829	6	Rubber ring	
3	955529	12	Screw	
4	941907	12	Spring washer	
5	479979	1	Plug	(191026)
6	846482	1	Exhaust pipe	SN-XXXXXXXXXX/280699
	3825358	1	Exhaust pipe	SNXXXXXXXXXX/280700-
7	467367	9	· Plug	FOR 846482
	467367	8	· Plug	FOR 3825358
7A	821335	1	· Plug	FOR 3825358
8	469328	9	· Gasket	
9	479979	5	· Plug	(191026)
10	479107	6	Gasket	
11	959797	10	Screw	L=140mm
12	941251	2	Screw	L=159mm
13	942336	12	Spring washer	
14	949918	2	Drain cock	
15	846923	2	Sealing ring	
16	853717	1	Decal	"WARNING". For hot areas.
17	876643	1	Gasket kit, induct+exhaust manifold	SEE GROUP 99