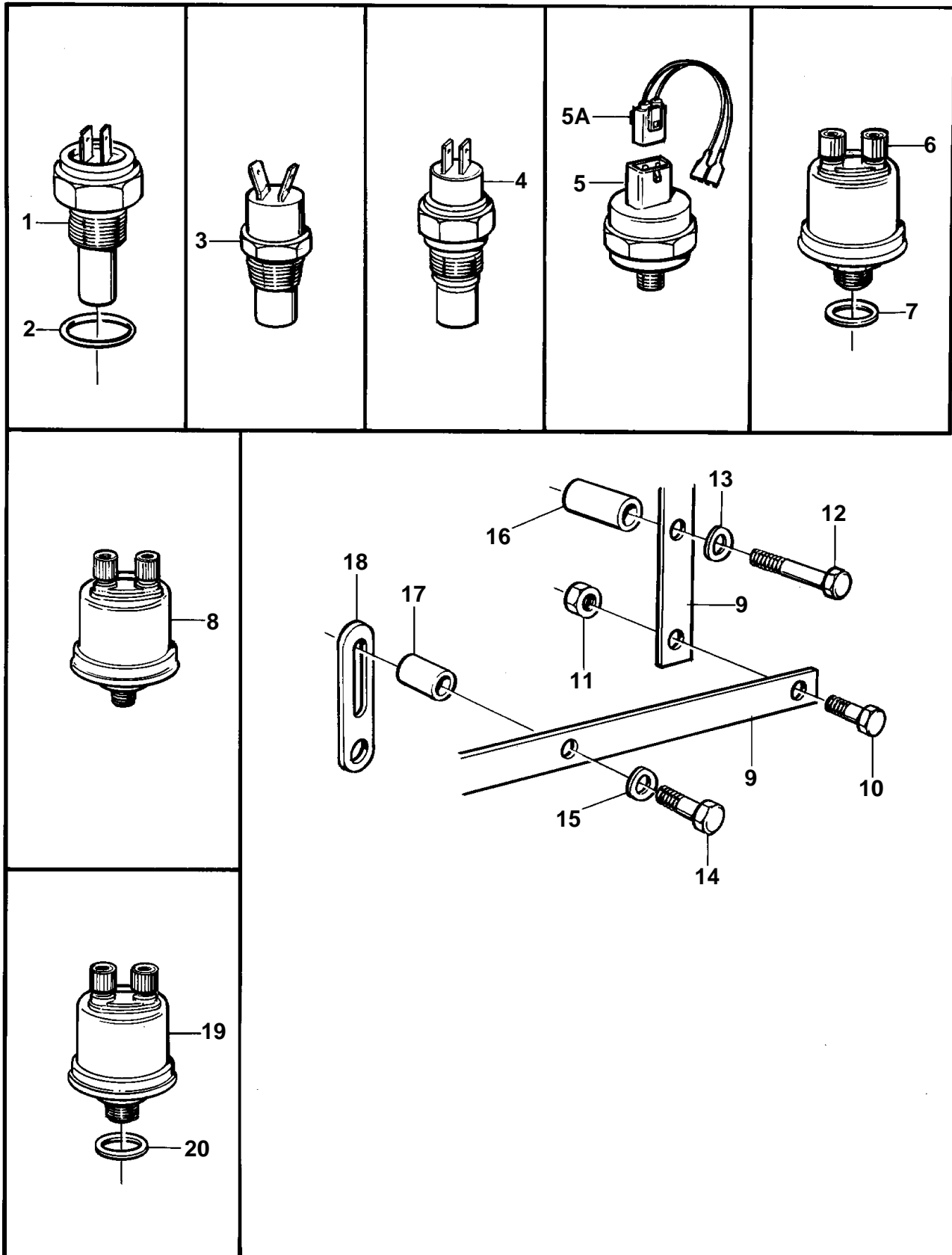


TAMD102A, TAMD102D



TAMD102A, TAMD102D

REF	PART NO.	QTY	DESCRIPTION	NOTES
1	354671	1	Tachometer sensor	
2	975610	1	O-ring	
3	822858	1	Thermo monitor, coolant water temp.	97°C
	822859	1	Thermo monitor, charge air temp	KC, 86°C
4	827150	1	Temperature sensor, coolant water temp.	90°C
	837044	1	Temperature sensor, coolant water temp.	For double instruments.
5	863169	1	Pressure monitor, oil pressure-engine	0,7bar
5A	873601	1	Cable	
6	872196	1	Pressure sensor, turbo	0-3 bar
7	947624	1	Gasket	
8	866833	1	Pressure sensor, oil-engine	0-10 bar
	866834	1	Pressure sensor, oil-engine	0-10 bar. For double instruments.
9		X	Cable iron	
10	946544	3	Flange screw	M6x16
11	945407	1	Flange nut	M6
12	940161	1	Screw	5/16
13	941907	1	Spring washer	
14	940162	2	Screw	3/8
15	942336	2	Spring washer	
16	820508	1	Spacer sleeve	L=28mm
17	827861	2	Spacer sleeve	L=19mm
18	849138	1	Bracket	
19	866840	1	Pressure sensor, reverse gear	0-30 bar
20	947624	1	Gasket	