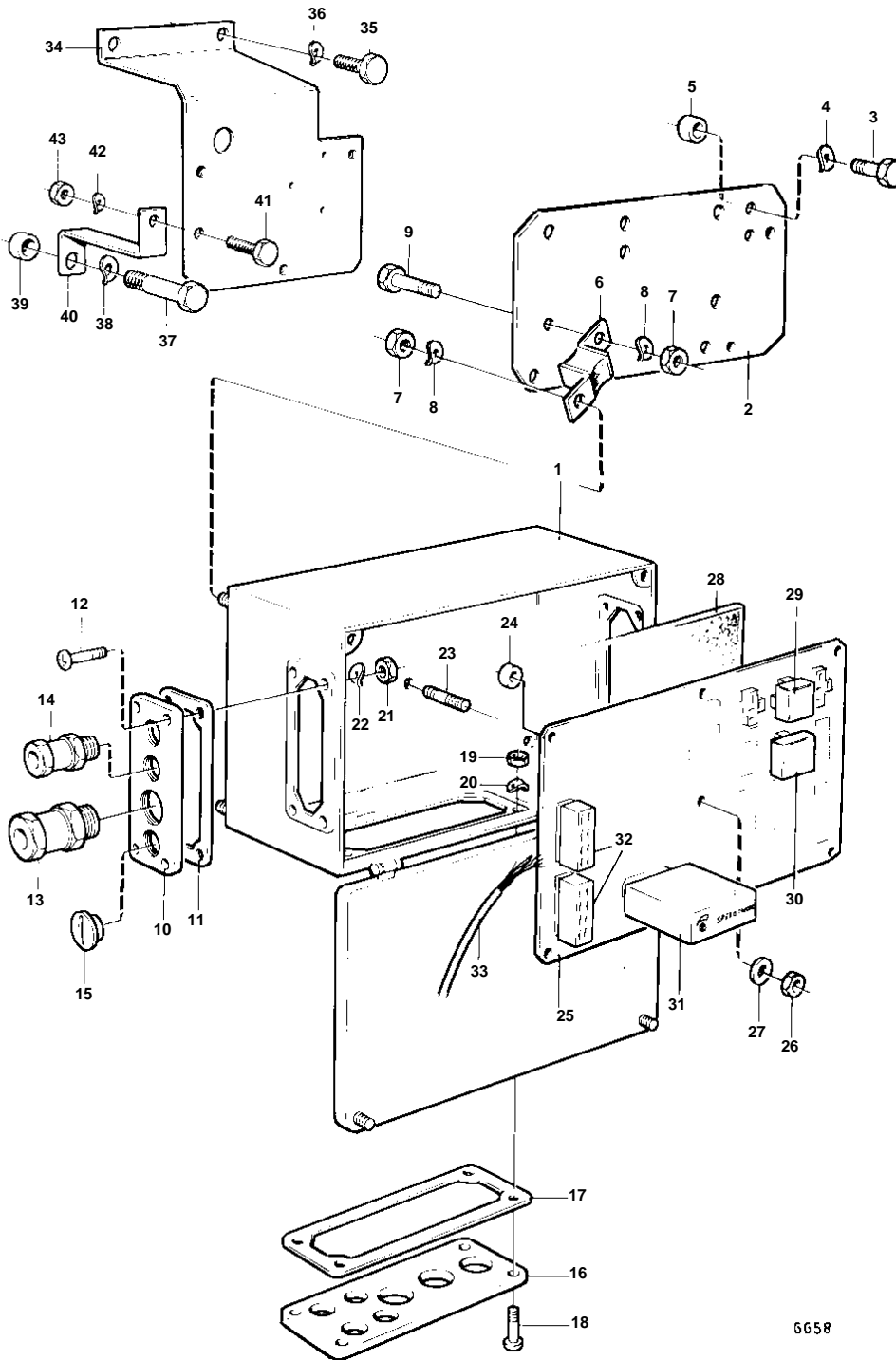


TMD102A (AUX)



TMD102A (AUX)

REF	PART NO.	QTY	DESCRIPTION		SEE SEC.	NOTES
1	843536	1	Box	OP		
2		1	Attaching plate			
3	940142	3	Screw			
4	941907	3	Spring washer			
5	821539	3	Spacer sleeve			
6	845513	4	Absorber			
7	955782	8	Nut			
8	941907	8	Spring washer			
9	955295	4	Screw			
10	843094	2	Flange	OP		
11	843578	2	Gasket			
12	956093	8	Screw			
13	881193	2	Cable union			
14	822327	2	Cable union			
15		X	Plug			
	843903	X	Plug	OP		
	843904	X	Plug	OP		
16	843577	1	Flange			
17		1	Gasket			
18		4	Screw			
19	955782	4	Nut			
20	941907	4	Spring washer			
21	955781	8	Nut			
22	941906	8	Spring washer			
23		6	Stud			
24		6	Washer			
25	843375	1	Circuit board			
26	963104	6	Nut			
27		6	Washer			
28		1	Absorber			
29	8153600	15	Relay			(1504951)
30	842987	1	Voltage sensor			
31	843910	1	Race gard			
32	944077	4	Housing			
33		X	Electrical materials		1963	
34	846819	1	Bracket			
35	940133	2	Screw			
36	942336	2	Spring washer			
37	955562	1	Screw			
38	940280	1	Spring washer			
39	823196	1	Spacer sleeve			
40	846912	1	Bracket			
41	955524	1	Screw			
42	941907	1	Spring washer			
43	955826	1	Nut			