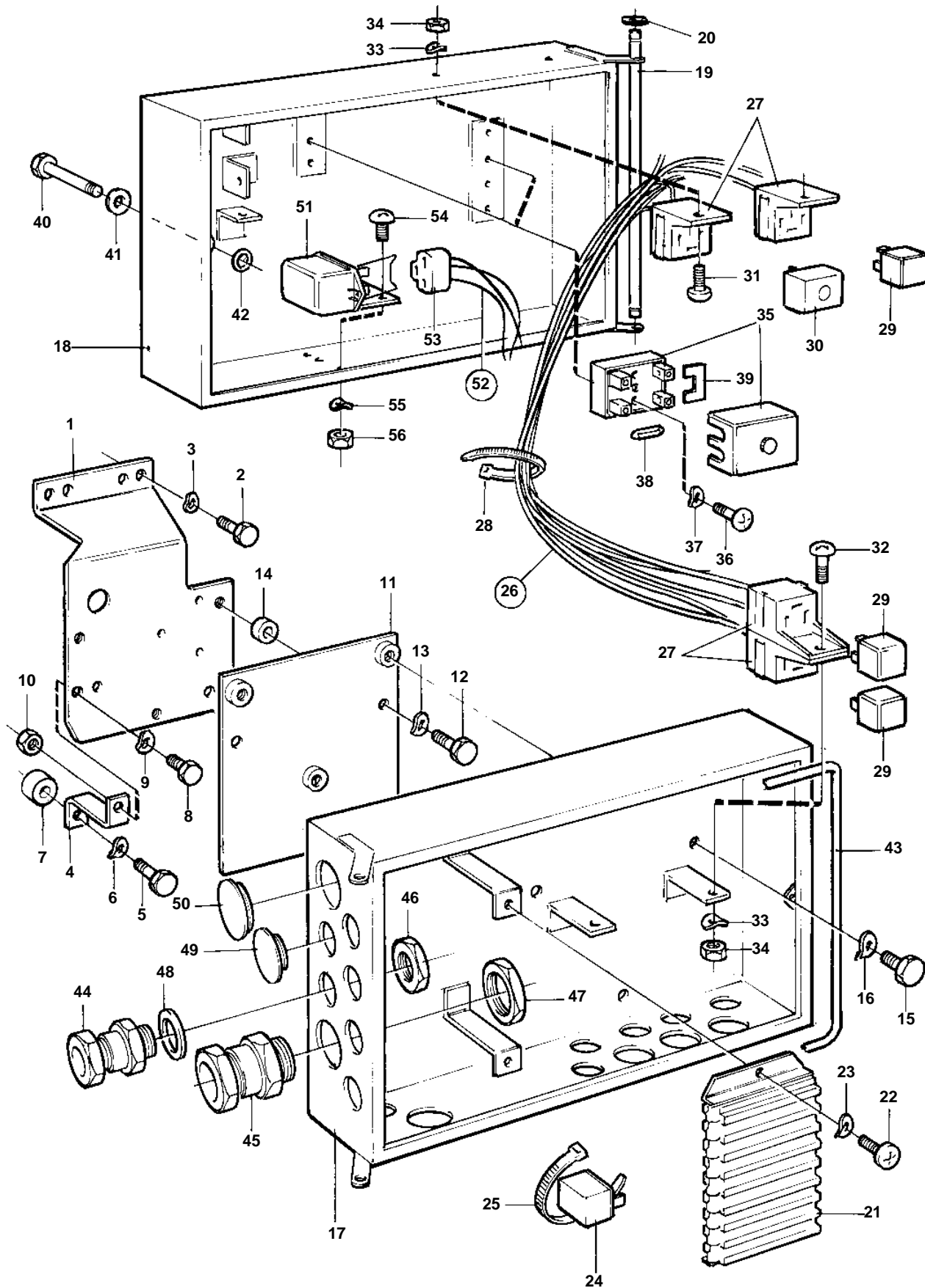


TMD102A



11808

TMD102A

REF	PART NO.	QTY	DESCRIPTION	NOTES
1	846819	1	Bracket	
2	940133	2	Screw	
3	942336	2	Spring washer	
4	846912	1	Bracket	
5	955562	1	Screw	
6	940280	1	Spring washer	
7	823196	1	Spacer sleeve	
8	955524	1	Screw	
9	941907	1	Spring washer	
10	955826	1	Nut	
11		1	Bracket	
12	955297	3	Screw	
13	941907	3	Spring washer	
14	807183	3	Spacer sleeve	
15	955524	3	Screw	
16	941907	3	Spring washer	
17	843124	1	Electrical distribut	SO
18	843126	1	Cover	
19	837838	1	Shaft	
20	951667	2	Lock ring	
21	843095	1	Terminal block	
22	956074	2	Screw	
23	941905	2	Spring washer	
24	837722	1	Resistor	
25	948211	X	Strip clamp	
26		1	Cable trunk	
27	946556	7	· Housing	
28	948211	X	Strip clamp	
29	1504951	6	Relay	
30	842987	1	Voltage sensor	
31	956094	2	Screw	
32	956076	2	Screw	
33	941905	4	Spring washer	
34	955780	4	Nut	
35	88578	4	Fuse box	
36	956060	8	Screw	
37	941904	8	Spring washer	
38	942545	4	Fuse	
	11433	2	Fuse	
	943905	2	Fuse	
39	842390	2	Bridge connector	
40	955261	1	Screw	
41	960138	1	Washer	
42	955978	1	Rubber ring	
43		X	Sealing strip	L=1000mm
44	822327	X	Cable union	
	881192	X	Cable union	
45	881193	X	Cable union	
46	880243	X	Nut	
47	880755	X	Nut	OP
48	957185	X	Gasket	
49	94081	X	Rubber plug	OP D=22mm
50	662620	X	Rubber button	D=28mm
51		1	Charge regulator	
52	845976	1	Cable trunk	
53		1	· Housing	
54	956076	2	Screw	
55	941905	2	Spring washer	
56	955780	2	Nut	