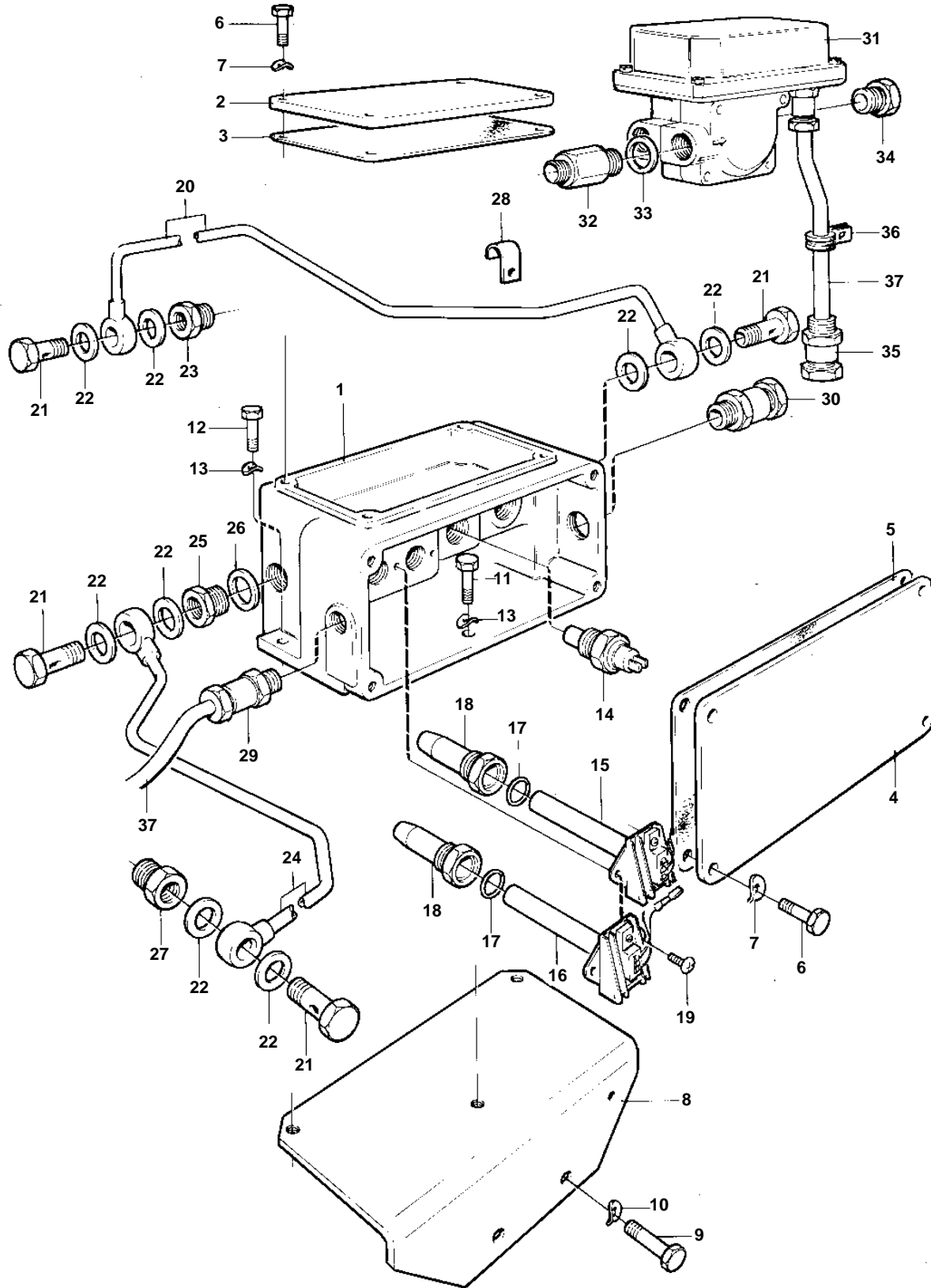


TMD122A, TAMD122A



6633

TMD122A, TAMD122A

REF	PART NO.	QTY	DESCRIPTION	SEE SEC.	NOTES
1		1	Housing		
2	844039	1	Cover		
3	844041	1	Gasket		
4		1	Cover		
5	843690	1	Gasket		
6	955272	8	Screw		
7	941906	8	Spring washer		
8		1	Bracket		
9	940162	2	Screw		
10	942336	2	Spring washer		
11	955295	1	Screw		
12	959220	1	Screw		L=20mm
	959222	1	Screw		L=25mm
13	941907	3	Spring washer		
14	827150	1	Temperature sensor		
15	843769	1	Thermo monitor, stop		
16	843767	1	Thermo monitor, alarm		
17	957179	2	Gasket		
18	843288	2	Sleeve		
19	956063	3	Screw		
20	844129	1	Tube		
21	25167	4	Hollow screw		
22	957178	8	Gasket		
23	844127	1	Nipple		
24	844128	1	Tube		
25		1	Nipple		
26	957183	1	Gasket		
27	844127	1	Nipple		
28	942542	1	Clamp		
29	881191	1	Cable union		
30	881193	1	Cable union		
31	846622	1	Flow sensor		
32	846632	1	Nipple		
33	969011	1	Gasket		
34	844127	1	Nipple		
35	822327	1	Cable union		
36	952630	5	Clamp		D=17,5mm
	952633	3	Clamp		D=22,2mm
	952637	2	Clamp		D=25,4mm
	952641	5	Clamp		D=34,9mm
37		X	Electrical materials	1963	