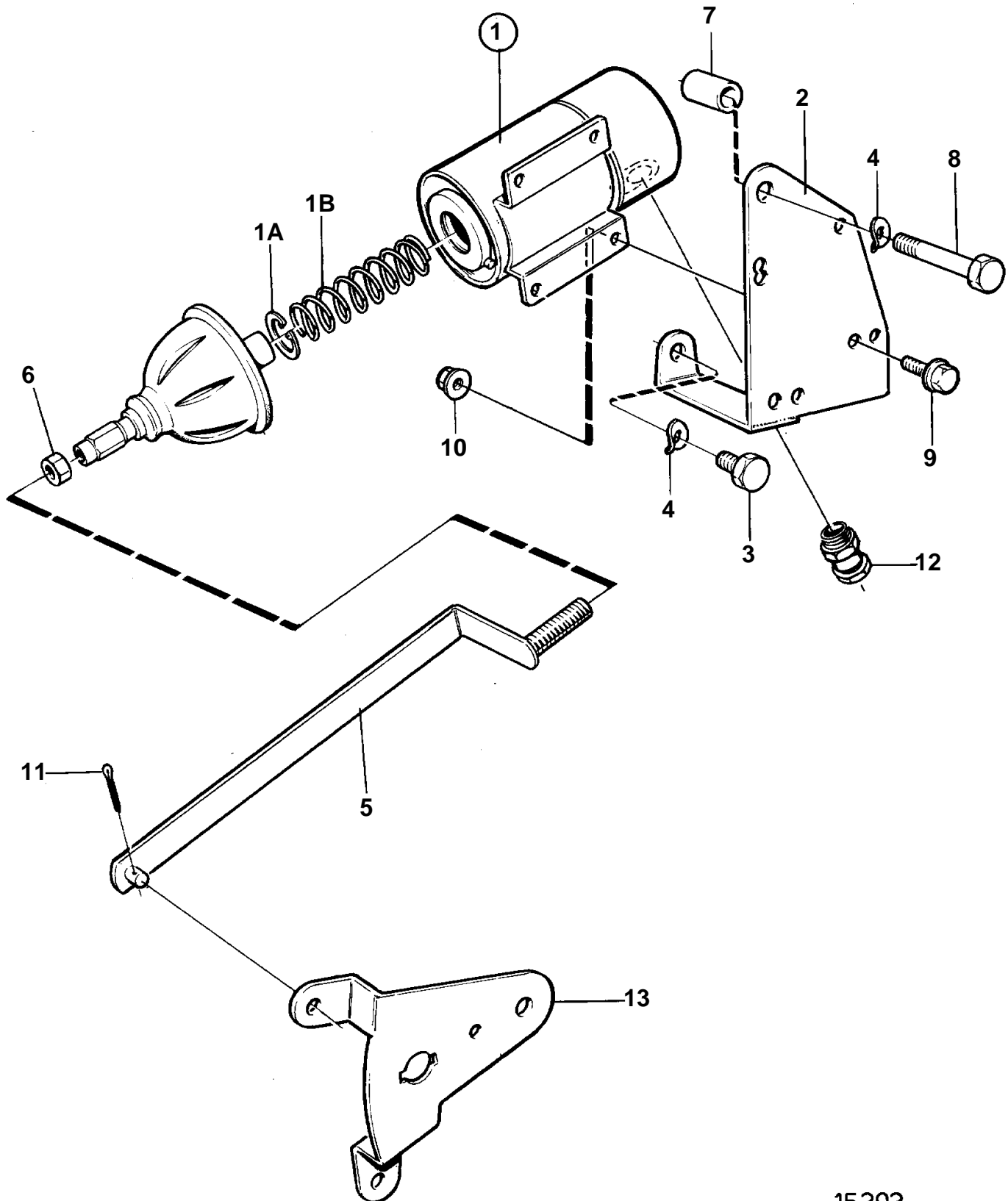


TMD102A, TAMD102A, TAMD102D



15393

TMD102A, TAMD102A, TAMD102D

REF	PART NO.	QTY	DESCRIPTION	SEE SEC.	NOTES
1	872825	1	Stop solenoid		24 VOLT
1A		1	• Snap ring		
1B	843401	1	• Return spring		
2	822649	1	Bracket		
3	940114	1	Screw		
4	942336	2	Spring washer		
5	845444	1	Pull rod		
6	955857	1	Nut		
7	822779	1	Spacer sleeve		
8	955541	1	Screw		
9	946544	4	Flange screw		
10	945407	4	Flange nut		
11	907824	1	Cotter pin		
12	844576	1	Cable union		
13		1	Lever	872	