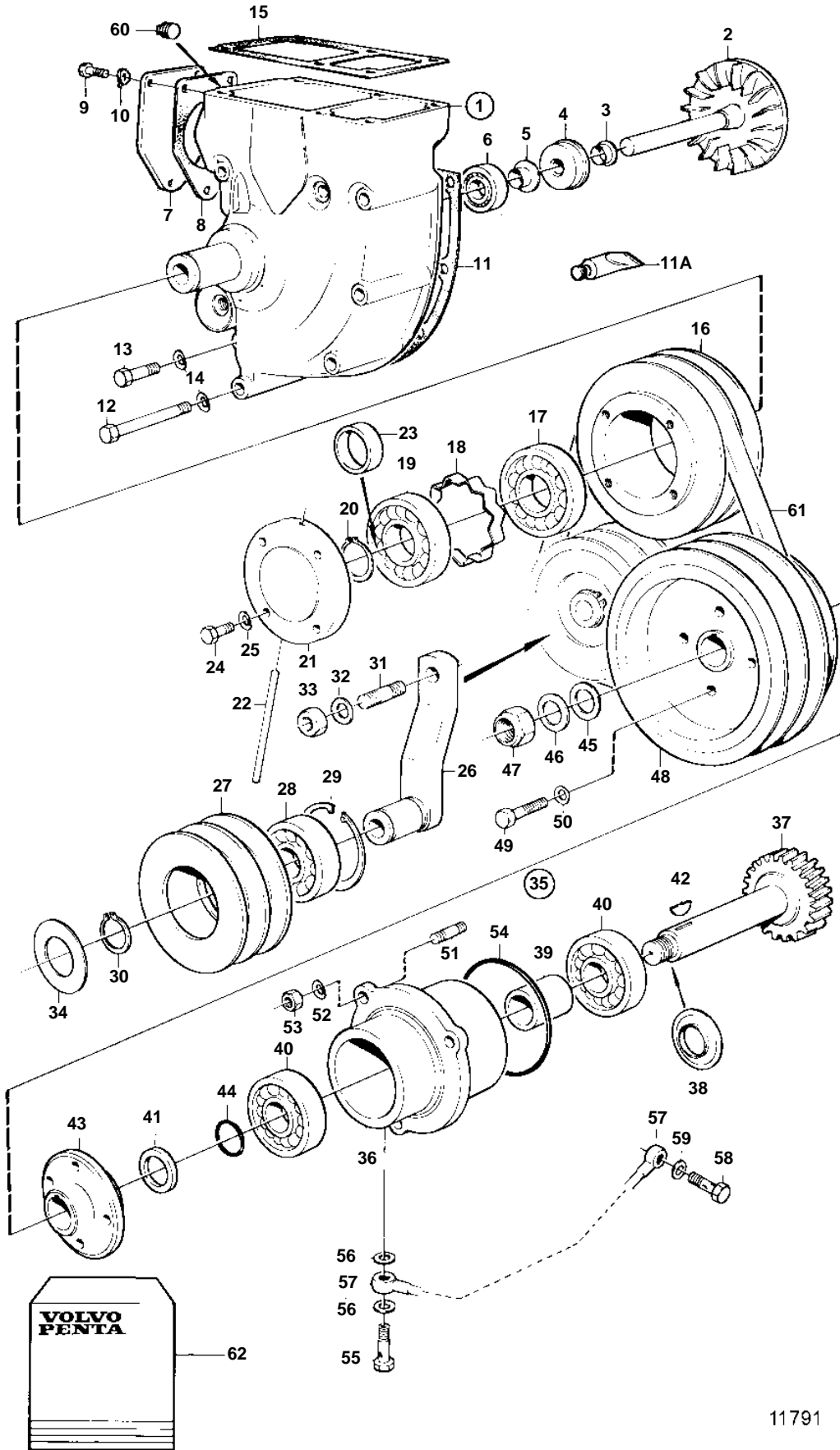


TMD100C



11791

CIRCULATION PUMP AND DRIVE DEVICE WITH INSTALLATION COMPONENTS

02B

TMD100C

REF	PART NO.	QTY	DESCRIPTION		NOTES
1	422311	1	Water pump		
2	422148	1	· Shaft	IK	
3	421306	1	· Wear ring	IK	
4	1545283	1	· Sealing ring	IK	
5	70913	1	· Deflector	IK	
6	1660609	1	· Ball bearing	IK	
7	846685	1	Flange		
8	422171	1	Gasket	IK	
9	955524	3	Screw		
10	941907	3	Spring washer		
11	423127	1	Gasket	IK	IF GASKET HAS BEEN USED, YOU SHOULD USE GASKET AGAIN
11A	1161231	X	Sealant		IF SILICONE RUBBER HAS BEEN USED, USE SILICONE RUBBER AGAIN
12	955542	6	Screw		
13	940162	2	Screw		
14	942336	8	Spring washer		
15	862596	1	Gasket	IK	
16	822548	1	Pulley		
17	181538	1	Ball bearing	IK	
18	422202	1	Spacer sleeve		
19	1542870	1	Ball bearing	IK	
20	914462	1	Lock ring		
21	836805	1	Companion flange		
22	951969	1	Pin	IK	
23	1542871	1	Spacer sleeve	IK	
24	940159	4	Screw		
25	941907	4	Spring washer		
26	823024	1	Lever		
27	822551	1	Pulley		
28	1544092	1	Ball bearing		
29	914533	1	Snap ring		
30	914462	1	Lock ring	IK	
31	953354	1	Stud		
32	941911	1	Spring washer		
33	955828	1	Nut		
34	420416	1	Protecting plate		
35	837702	1	Drive outlet		
36	837703	1	· Bearing housing		
37	837704	1	· Gear		
38	837705	1	· Oil deflector		
39	837706	1	· Spacer sleeve		
40	183731	2	· Ball bearing		
41	958856	1	· Sealing ring		
42	909867	1	· Key		
43	837707	1	· Hub		
44	190418	1	· O-ring		
45	947170	1	· Gasket		
46	837708	1	· Washer		
47	949399	1	· Nut		
48	842769	1	Pulley		
49	955534	4	Screw		
50	942336	4	Spring washer		
51	953280	2	Stud		L = 120 MM
	953257	1	Stud		L = 35 MM
52	942336	3	Spring washer		
53	955827	3	Nut		
54	949660	1	O-ring		
55	844625	1	Hollow screw		
56	947620	2	Gasket		
57	837711	1	Tube		
58	837709	1	Hollow screw		SEE GROUP 2C. CONNECTED TOGETHER WITH OIL PRESSURE PIPE FOR INJ. PUMP

7745810 - 02B - 02B-0725

11791

Upd: 22 NOV 2005

TMD100C

**VOLVO
PENTA**

TMD100C

REF	PART NO.	QTY	DESCRIPTION	NOTES
59	11994	1	Gasket	
60	952077	1	Plug	
61	966958	1	V-belt set	
62	876434	1	Repair kit, REPAIR KIT CIRCULATION PUMP	SEE GROUP 10A