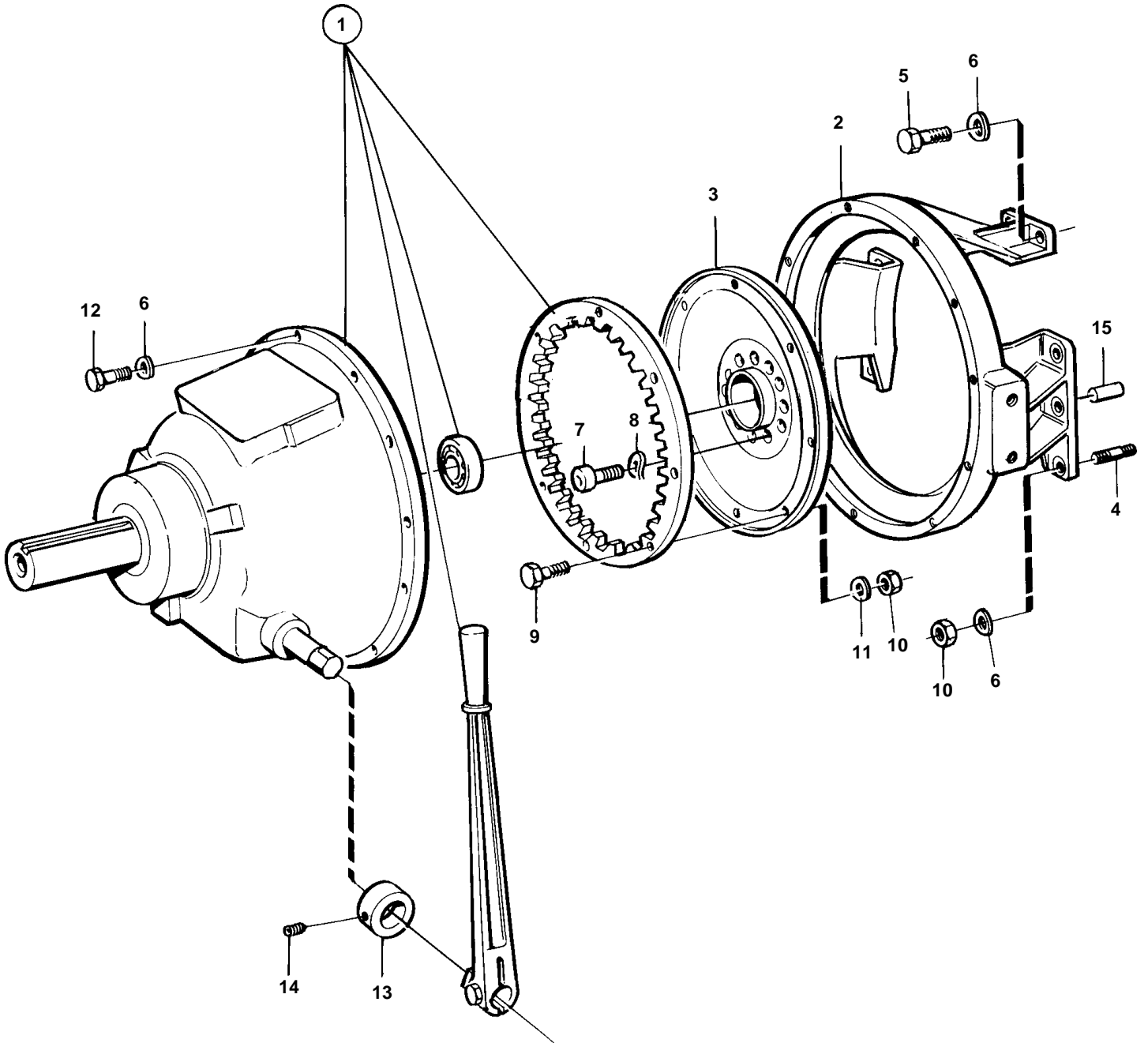


TMD100C



11814

CLUTCH WITH INSTALLATION COMPONENTS ROCKFORD & BW 8" AND 10"

04A

TMD100C

REF	PART NO.	QTY	DESCRIPTION	NOTES
1	815263	1	Clutch	ROCKFORD BW 8" REPL BY 849716
		1	· BEARING · COMPONENTS	SEE GROUP 4D
	849716	1	Clutch COMPONENTS	ROCKFORD BW 8" SEE GROUP 4D
	820802	1	Clutch COMPONENTS	ROCKFORD BW 10" SEE GROUP 4D
2	823121	1	Bracket	
3	823081	1	Companion flange	FOR COUPLING 815263, 849716
	823080	1	Companion flange	FOR 820802.
4	953282	6	Stud	
5	955535	2	Screw	
6	942336	20	Spring washer	
7	955555	12	Screw	L = 83 MM. FOR COUPLING 815263, 849716
	956610	12	Screw	L = 89 MM. FOR 820802.
8	941909	12	Spring washer	
9	803672	6	Screw	FOR COUPLING 815263, 849716
	955536	8	Screw	FOR 820802.
10	955827	14	Nut	
11	955950	6	Lock washer	FOR COUPLING 815263, 849716
	955950	8	Lock washer	FOR 820802.
12	940115	12	Screw	
13	803612	2	Stop ring	
14	915590	4	Set screw	
15	941510	2	Pin	