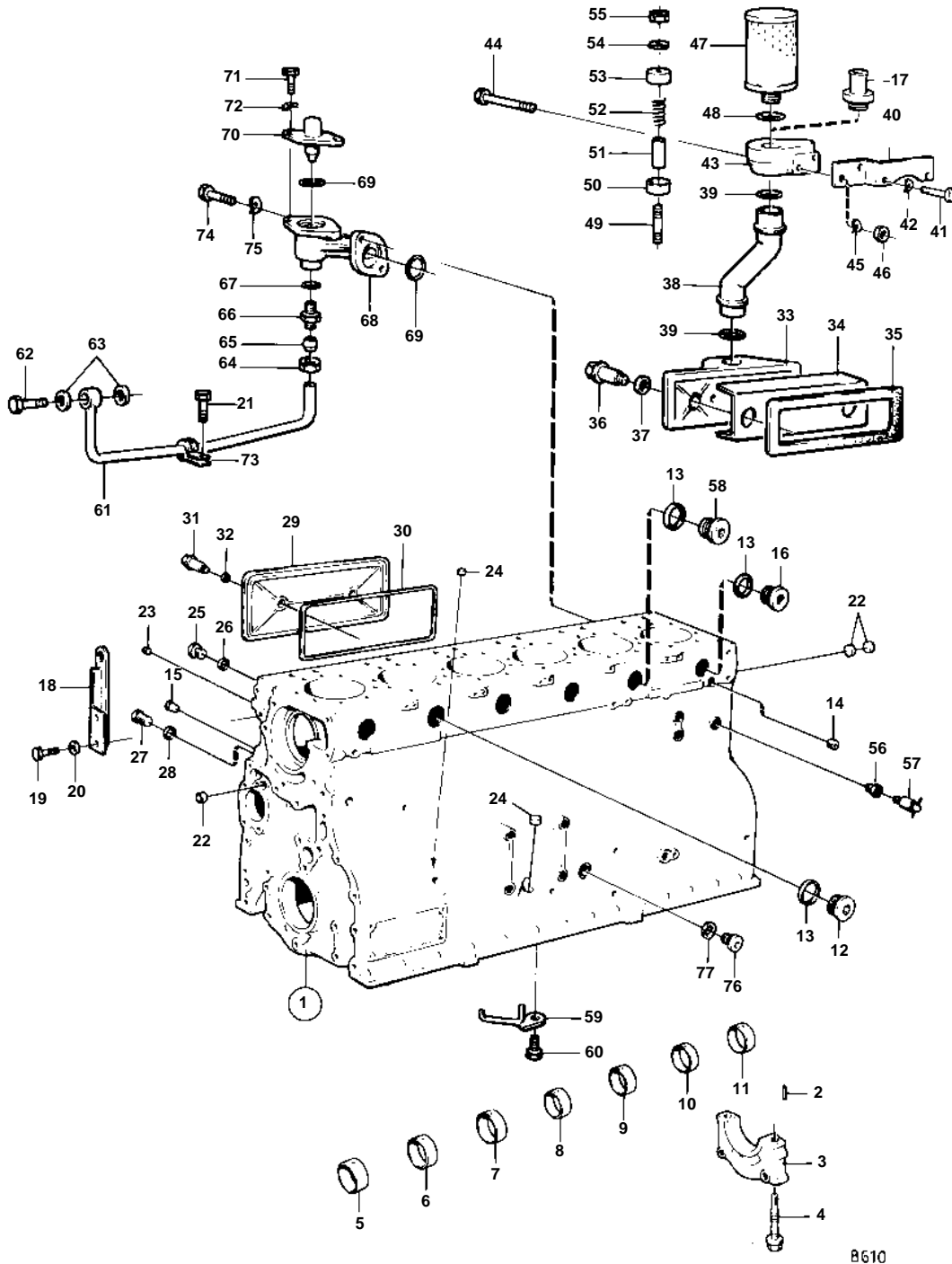


TD121CHC,TD121CRC



TD121CHC,TD121CRC

REF	PART NO.	QTY	DESCRIPTION	NOTES
1	470130	1	Cylinder block	
2	422426	1	• Pin	
3		7	• BEARING CAP	
4	423444	14	• Screw	
5	422076	1	• Bushing	
6	422077	1	• Bushing	
7	422078	1	• Bushing	
8	422079	1	• Bushing	
9	422080	1	• Bushing	
10	422081	1	• Bushing	
11	422082	1	• Bushing	
12	467367	5	• Plug	
13	469328	6	• Gasket	
14	952075	2	• Plug	
15	422369	7	• Plug	
16	821355	1		
17	845260	1	Hose attachment	ALT
18	823752	1		
19	955561	2	Screw	
20	940280	2	Spring washer	
21	940100	1	Screw	
22	955083	3	Cap plug	
23	952077	4	Plug	
24	955082	2	Cap plug	
25	16318	6	Plug	
26	907132	6	Gasket	
27	948187	1	Plug	
28	18818	1	Gasket	
29	423120	2	Inspection cover	
30	469823	2	Gasket	
31	422541	4	Screw	
32	469846	4	Sealing ring	(424342)
33	423121	1	Inspection cover	
34	422542	1	Splash plate	
35	469823	1	Gasket	
36	422541	2	Screw	
37	469846	2	Sealing ring	
38	843369	1	Tube	
39	421158	2	Sealing ring	
40	843370	1	Bracket	
41	940114	2	Screw	
42	942336	2	Spring washer	
43	843356	1	Housing	
44	955529	2	Screw	
45	941907	2	Spring washer	
46	955826	2	Nut	
47	876069	1	Filter	
48	843449	1	Gasket	
49	924058	1	Stud	
50	842972	1	Valve disc	
51	842974	1	Spacer sleeve	
52	843301	1	Spring	
53	842975	1	Cover	
54	421158	1	Sealing ring	
55	963105	1	Nut	
56	190130	1	Nipple	
57	949918	1	Drain cock	
58	823369	1	Plug	SEE GROUP 2B
59	468539	6	Oil jet	
60	948587	6	Lock screw	
61	842830	1	Delivery pipe	SEE GROUP 2B
62	190714	1	Hollow screw	SEE GROUP 2B
63	947624	2	Gasket	SEE GROUP 2B

7733670 - 02A - 02A-0295

8610

Upd: 29 DEC 2005

TD100CHC, TD100CRC, TD121CHC, TD121CRC, TAD121CHC

VOLVO
PENTA

