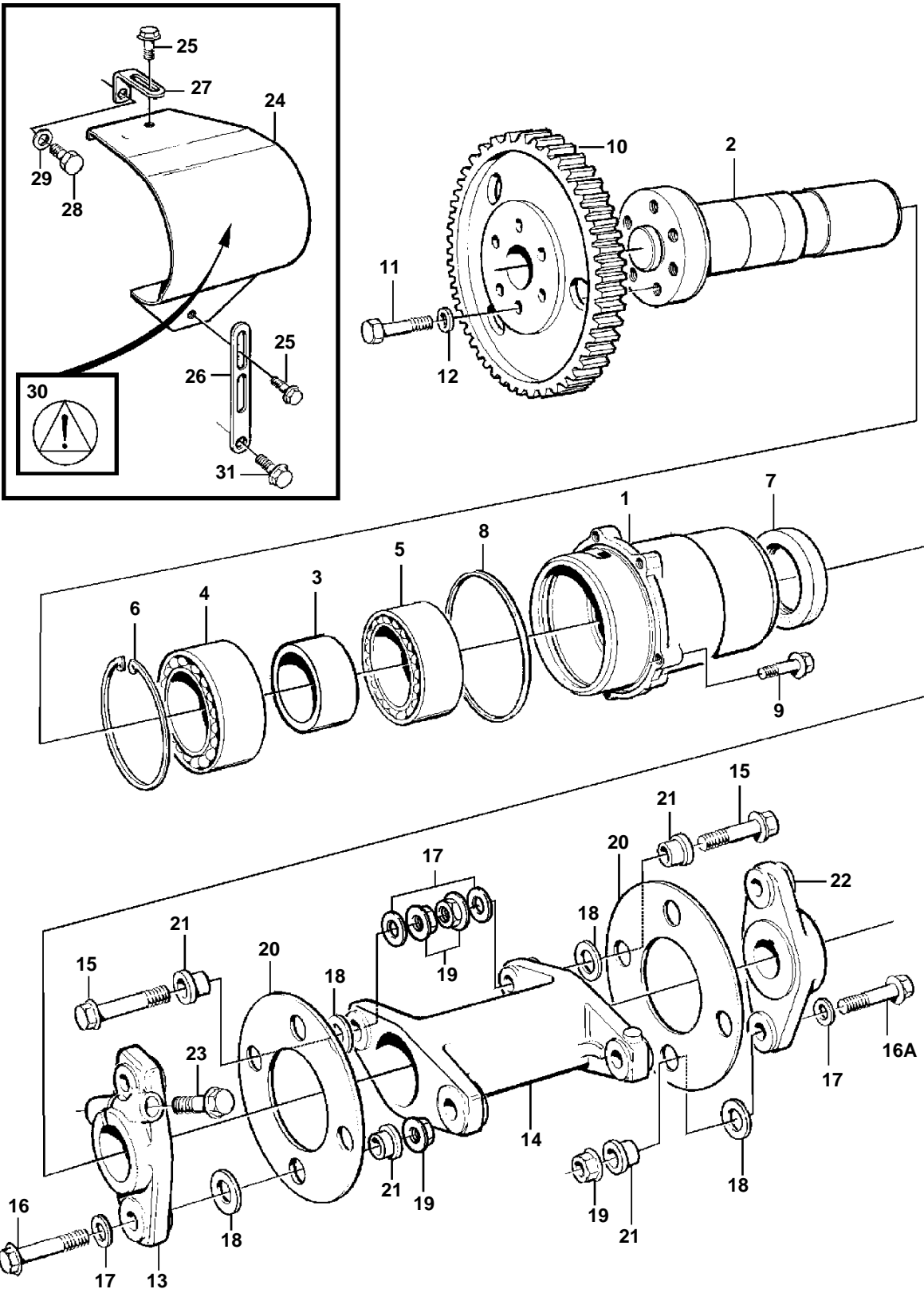


TAMD74 AUX, TAMD74A-A, TAMD74A-B, TAMD74C-A, TAMD74L-A, TAMD74P-A, TAMD74C-B, TAMD74L-B, TAMD74P-B, TAMD75P-A



17109

TAMD74 AUX, TAMD74A-A, TAMD74A-B, TAMD74C-A, TAMD74L-A, TAMD74P-A, TAMD74C-B, TAMD74L-B, TAMD74P-B, TAMD75P-A

| REF | PART NO. | QTY | DESCRIPTION | NOTES |
|-----|----------|-----|----------------------|----------------------------|
| 1 | 478799 | 1 | Bearing housing | |
| 2 | 478411 | 1 | Axle shaft | |
| 3 | 1546132 | 1 | Stop ring | |
| 4 | 184788 | 1 | Ball bearing | |
| 5 | 11014 | 1 | Ball bearing | |
| 6 | 914540 | 1 | Lock ring | |
| 7 | 1546221 | 1 | Sealing ring | |
| 8 | 423123 | 1 | Sealing ring | |
| 9 | 948336 | 5 | Lock screw | (946671) |
| 10 | 478429 | 1 | Gear | |
| 11 | 471534 | 6 | Screw | |
| 12 | 942385 | 6 | Disc spring | |
| 13 | 1547352 | 1 | Companion flange | (M11) SN-2061187229. |
| | 1556186 | 1 | Companion flange | M11. (M12) SN2061187230- . |
| 14 | 1556175 | 1 | Intermediate section | M12 |
| 15 | 965185 | 4 | Flange screw | L=40mm |
| 16 | 965220 | 2 | Flange screw | L=45mm |
| 16A | 965185 | 2 | Flange screw | L=40mm |
| 17 | 976945 | 8 | Washer | 10,5x22x2mm |
| 18 | 479399 | 8 | Washer | 15x28x2mm |
| 19 | 971095 | 8 | Nut | |
| 20 | 479458 | 8 | Disc | |
| 21 | 478897 | 8 | Sleeve | |
| 22 | 478358 | 1 | Companion flange | |
| 23 | 471529 | 1 | Screw | M11. (M11) SN-2061187229. |
| | | 1 | | M12. (M12) SN2061187230- . |
| 24 | 3825430 | 1 | Protecting plate | |
| 25 | 967949 | 2 | Screw | |
| 26 | 965542 | 1 | Bracket | |
| 27 | 965552 | 1 | Bracket | |
| 28 | 946440 | 1 | Flange screw | |
| 29 | 941907 | 1 | Spring washer | |
| 30 | 3817024 | 1 | Decal | |
| 31 | | 1 | Screwengine bracket | SEE GROUP 21 |