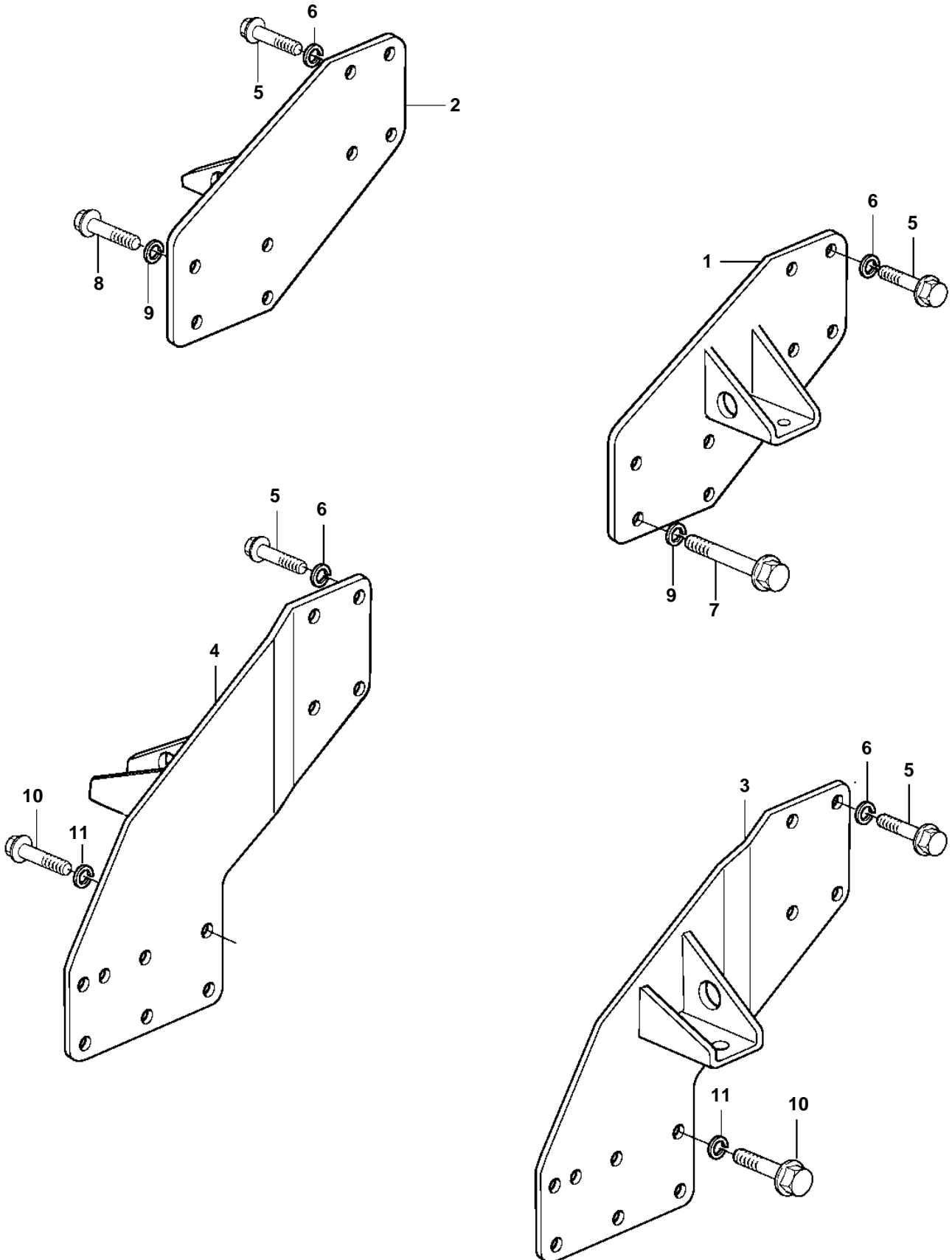


TAMD74A-A, TAMD74A-B



TAMD74A-A, TAMD74A-B

REF	PART NO.	QTY	DESCRIPTION	NOTES
1	848396	1	Bracket, MG5091SC	S.B
2	848397	1	Bracket, MG5091SC	P
5	970900	8	Screw	L=40mm
6	940280	8	Spring washer	
7	941857	4	Screw	L=114mm
8	955561	4	Screw	L=32mm
9	940280	8	Spring washer	