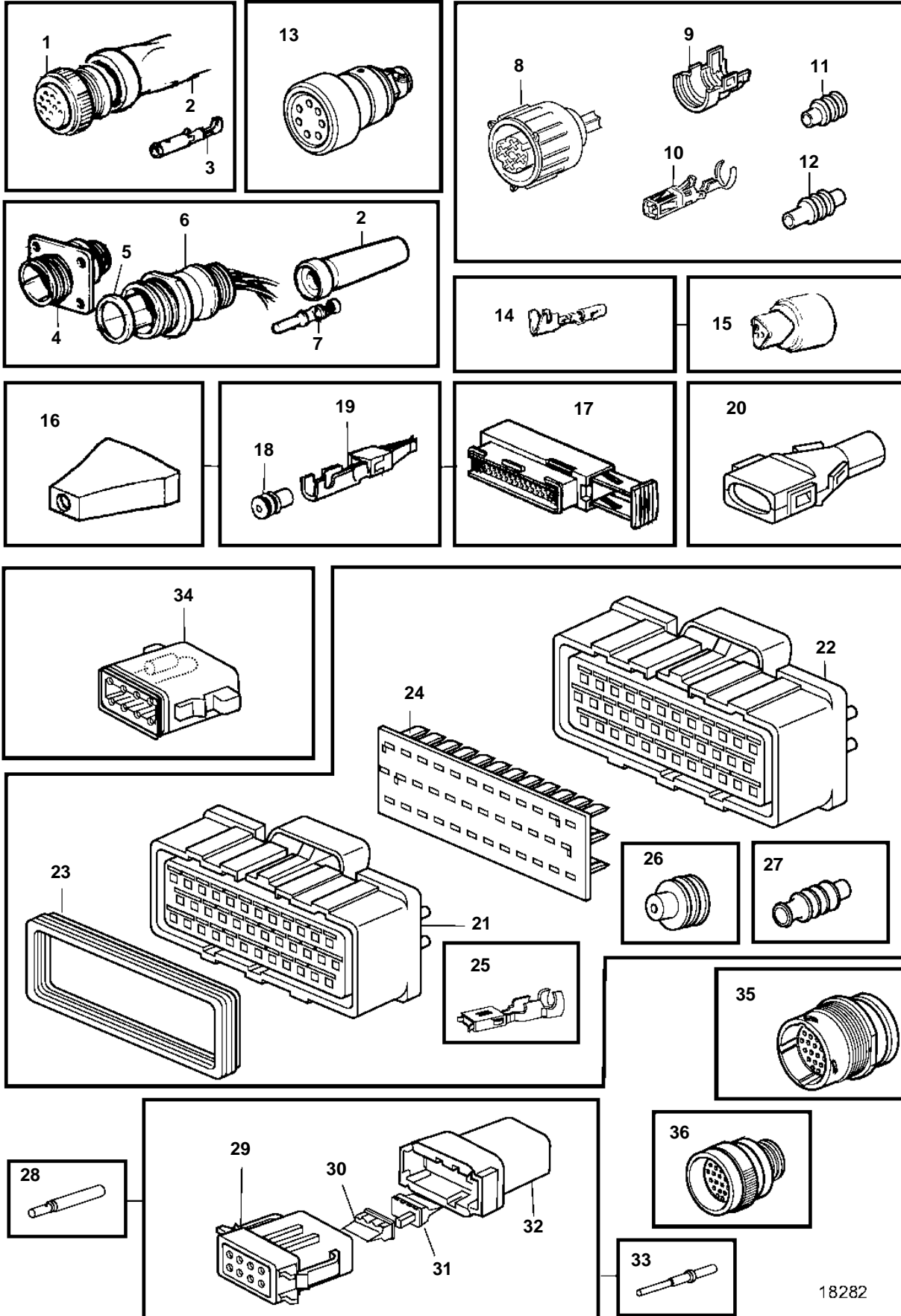


TAMD74A-A, TAMD74A-B, TAMD74C-A, TAMD74L-A, TAMD74P-A, TAMD74C-B, TAMD74L-B, TAMD74P-B, TAMD75P-A



18282

TAMD74A-A, TAMD74A-B, TAMD74C-A, TAMD74L-A, TAMD74P-A, TAMD74C-B, TAMD74L-B, TAMD74P-B, TAMD75P-A

REF	PART NO.	DESCRIPTION	NOTES
1	846612	Sleeve connector	16-POLE
2	847005	Sealing collar	L=100mm D=20mm
3	849959	Cable terminal	
4	846611	Sleeve connector	16-POLE
5	846615	Sealing ring	
6	846647	Pin connector	16-POLE
7	849958	Cable terminal	1,6x0,5-1,5sq.mm
8	8159013	Tab housing	4-POLE
9		Adapter	
10	8155901	Cable terminal	
11	8155900	Seal	
12	8155899	Sealing plug	
13	1618737	Switch	7-POLE
14	853521	Cable terminal	
15	853498	Receptacle housing	3-POLE
16	873632	Rubber guard	
17	9148263	Switch	42-POLE
18	970772	Seal	1,2-2,1sq.mm BLUE
	9148107	Seal	1,4-2,0 GREY
	970773	Seal	2,2-3sq.mm WHITE
19	9148135	Switch	1,6x0,5-1sq.mm
	970778	Cable terminal	4,8/2,8x0,5-1sq.mm
	970779	Cable terminal	4,8/2,8x1,1-2,5sq.mm
20	8142100	Adapter	
21	977532	Receptacle housing	24-POLE BLACK
22	977897	Receptacle housing	24-POLIG RED
23		Seal	
24	977533	Receptacle housing	
25	977539	Cable terminal	
26	1079234	Seal	BROWN
27	977540	Plug	GREY
28	874146	Sleeve	
29	874142	Receptacle housing	8-POLE
30	874144	Key	ORANGE
31	874145	Key	ORANGE
32	874143	Tab housing	8-POLE
33	874147	Pin	
34	874271	Resistor, end terminator	
35	874112	Connector unit	From control panel to engine. 23-pole.
36	874092	Connector unit	From engine to control panel. 23-pole.