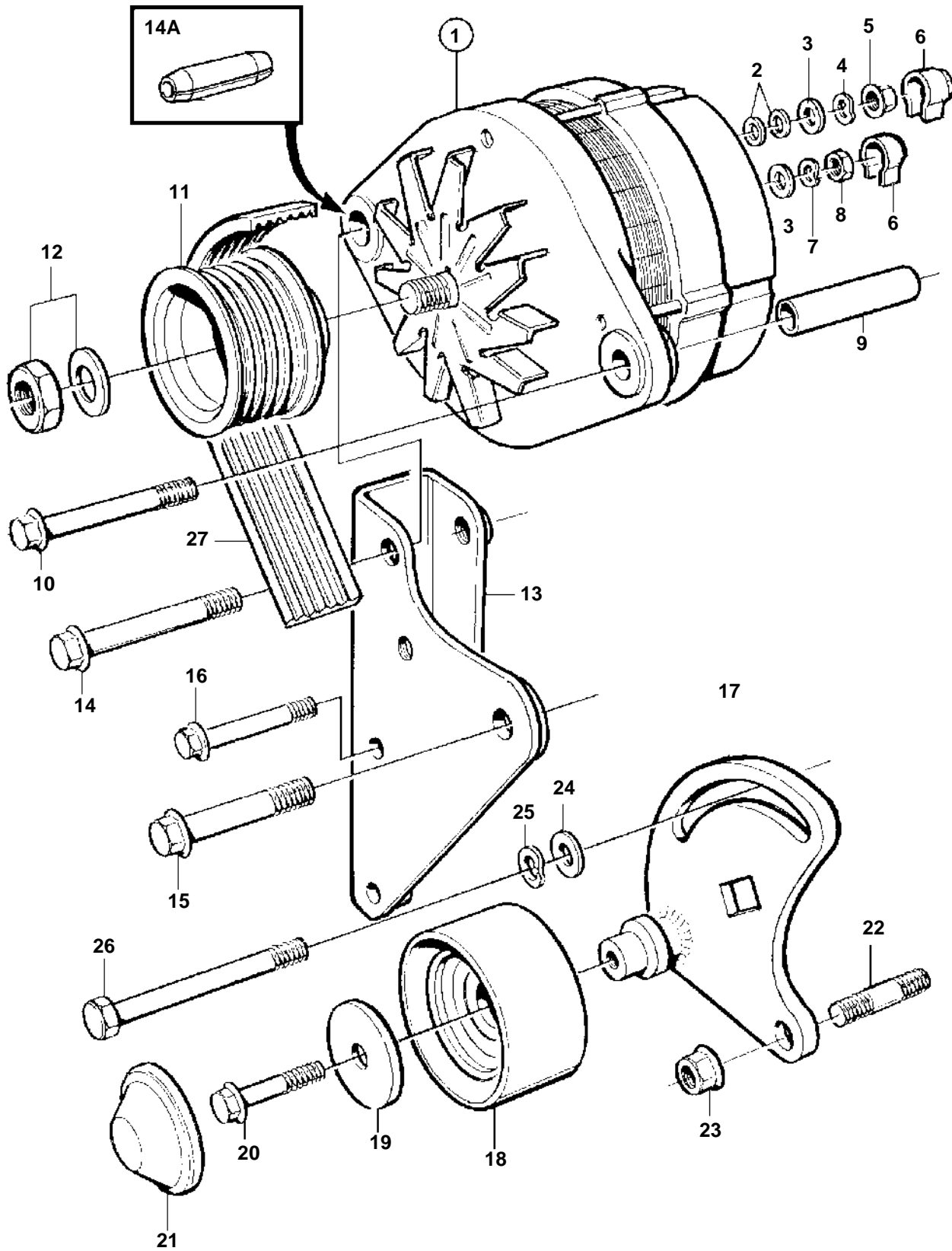


TAMD74A-A, TAMD74A-B, TAMD74C-A, TAMD74L-A, TAMD74P-A, TAMD74C-B, TAMD74L-B, TAMD74P-B, TAMD75P-A



17090

TAMD74A-A, TAMD74A-B, TAMD74C-A, TAMD74L-A, TAMD74P-A, TAMD74C-B, TAMD74L-B, TAMD74P-B, TAMD75P-A

REF	PART NO.	QTY	DESCRIPTION	SEE SEC.	NOTES
1	873770	1	Alternator, 60A		14V 60A, E.U=3803444
	3803444	1	Alternator,exch		Exchange unit
				6126	
	873771	1	Alternator, 60A		28V 60A, E.U=3803443
	3803443	1	Alternator,exch		Exchange unit
				6126	
2	940090	2	Washer		
3	960140	2	Washer		
4	941905	1	Spring washer		
5	965483	1	Nut		
6	1234326	2	Protective cap		
7	949607	1	Spring washer		
8	955781	1	Nut		
9	823494	1	Spacer sleeve		
10	965181	1	Screw		
11	866220	1	Pulley		
12	6212688	1	Mounting kit		
13	866219	1	Bracket		
14	947790	1	Flange screw		
14A	1610144	1	Pin		FOR 873771
15	965195	1	Flange screw		
16	965180	2	Flange screw		
17	866654	1	Alternator bracket		
18	3154314	1	Tension pulley		
19	1675387	1	Washer		
20	945444	1	Flange screw		
21	1675386	1	Protecting cover		
22	953067	1	Stud		
23	971098	1	Flange lock nut		
24	976945	1	Washer		
25	941908	1	Spring washer		
26	970961	1	Screw		
27		1	Drive belt	4472	