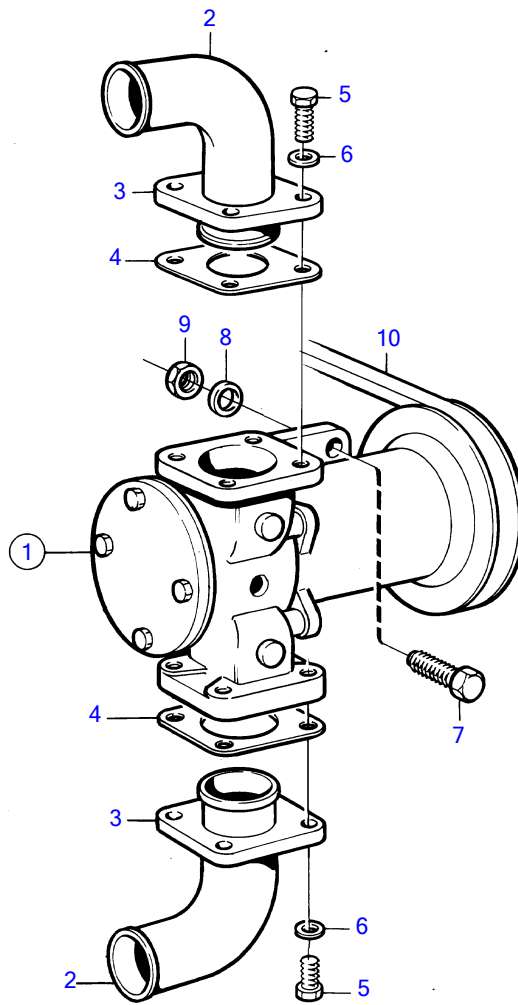
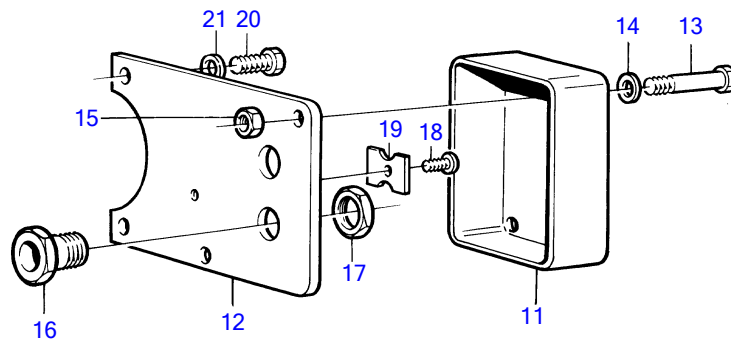


TAMD74A-A, TAMD74A-B, TAMD74C-A, TAMD74C-B, TAMD74L-A, TAMD74L-B, TAMD74P-A, TAMD74P-B, TAMD75P-A



8734

TAMD74A-A, TAMD74A-B, TAMD74C-A, TAMD74C-B, TAMD74L-A, TAMD74L-B, TAMD74P-A, TAMD74P-B, TAMD75P-A

REF	PART NO.	QTY	DESCRIPTION	SEE SEC.	NOTES
1	846104	1	Bilge pump		1 1/4"
			.		
			.	644	
2	842028	2	Hose attachment		
3	842029	2	Flange		
4	3888837	2	Gasket		(862592)
5	940114	8	Hexagon screw		
6	942336	8	Spring washer		
7	946472	4	Flange screw		
8	976945	4	Washer		
9	971095	4	Flange nut		
10	846361	1	V-belt		When the pump is installed on the bracket., L=1160mm
	863186	1	V-belt		When the pump is installed on the clutch., L=1218mm
11	837392	1	Cardboard tube		
12	(846233)	1	Bracket		Obsolete part
13	956301	2	Cross recessed screw		
14	941905	2	Spring washer		
15	955780	2	Hexagon nut		
16	881192	1	Grommet		
	822327	1	Grommet		
17	880243	2	Nut		
18	956049	1	Cross recessed screw		
19	926219	1	Coupling piece		(182010)
20	955525	2	Hexagon screw		
21	941907	2	Spring washer		