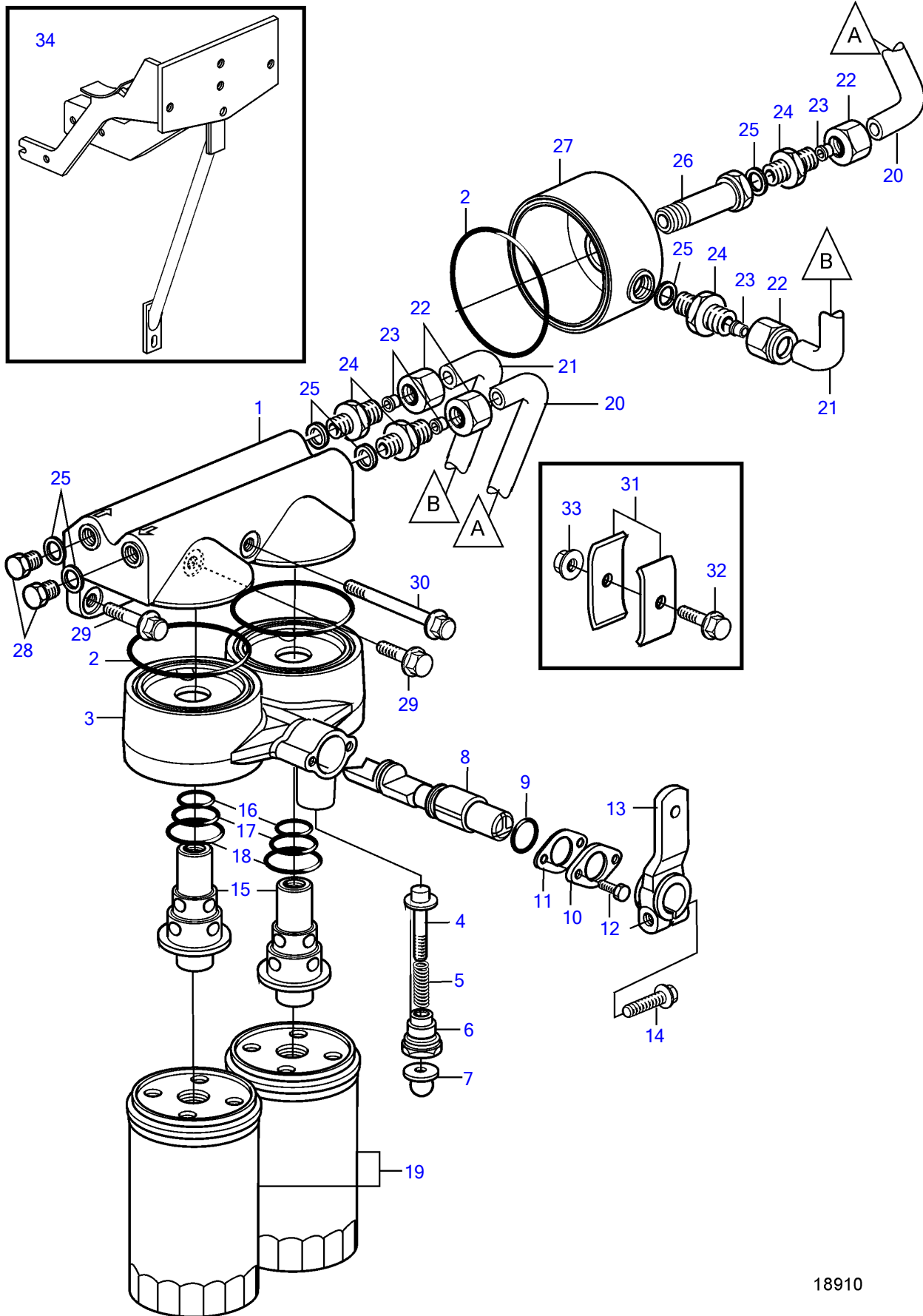


TAMD74A-A, TAMD74A-B



18910

## TAMD74A-A, TAMD74A-B

REF	PART NO.	QTY	DESCRIPTION	SEE SEC.	NOTES
1	11031901	1	Oil filter housing		
2	948981	3	O-ring		
3	3829976	1	Valve housing		Replaced by 3889232
	3889232	1	Valve housing		
4	3830181	1	• Dowel		
5	466653	1	• Compression spring		
6	3830176	1	• Sleeve		
7	940344	1	• Wing nut		
8	3826152	1	• Shift valve		
9	949657	1	• O-ring		
10	842912	1	• Flange		
11	11998	1	Gasket		
12	946544	2	Flange screw		
13	964408	1	Intermediate lever		
14	946752	1	Flange screw		
15	3829975	2	Nipple		
16	20536487	2	O-ring		
17	948610	2	O-ring, middle		
18	969415	2	O-ring		
19	847741	2	Oil filter		
20	3832541	1	Reversing gear		L=1530mm
21	3832540	1	Tube		L=1163mm
22	956987	4	Fitting nut		
23	980787	4	Ferrule		
24	982254	4	Nipple		
25	948885	6	Gasket		
26	3827458	1	Nipple		
27	3827459	1	Cover		
28	960634	2	Plug		
29	946752	3	Flange screw		L=35mm
30	969313	1	Flange screw		L=110mm
31	424204	4	Attaching clamp		
32	946470	2	Flange screw		
33	945408	2	Flange nut		
34		1	Bracket	5442	