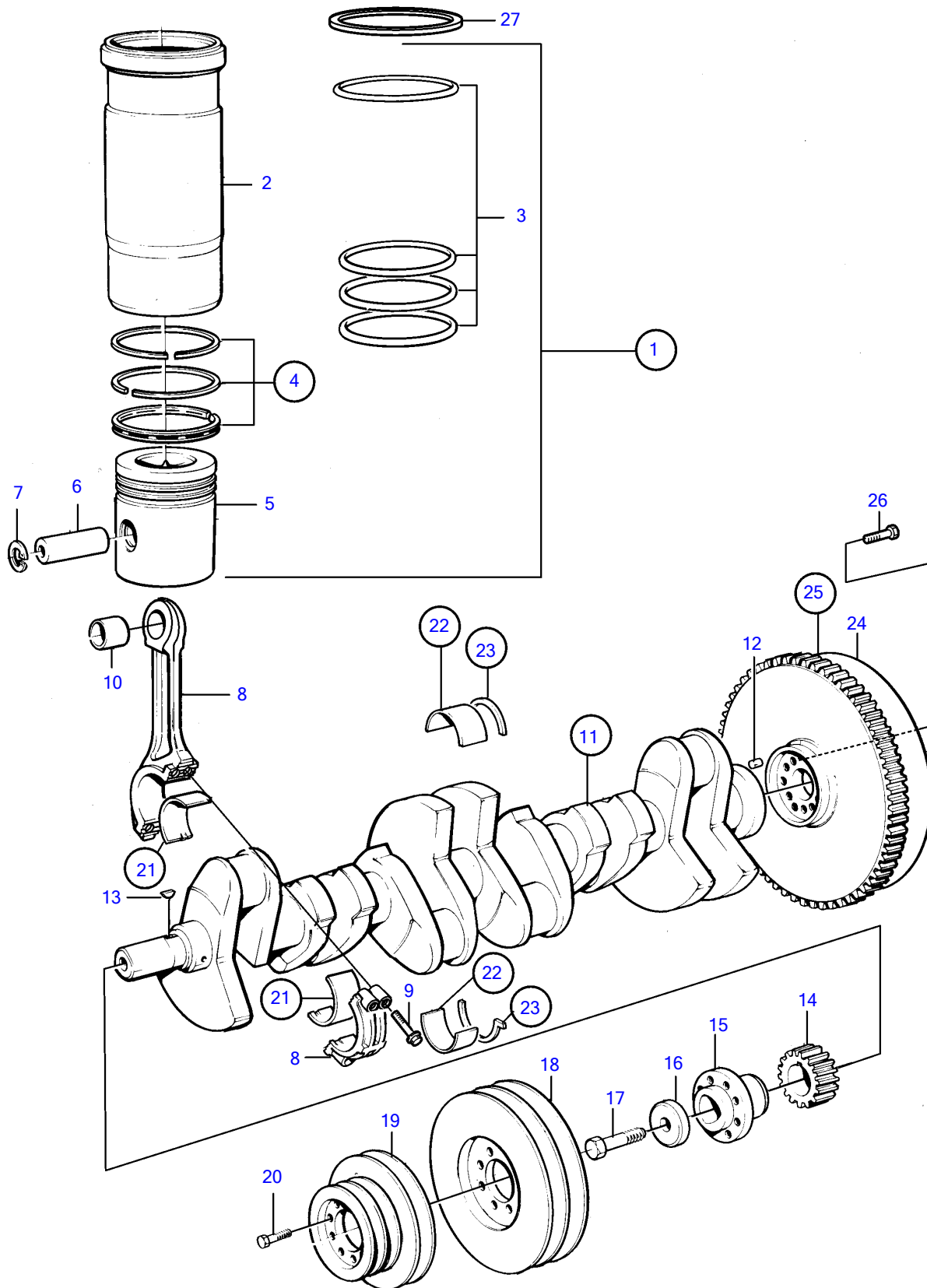


TAMD74A-A, TAMD74A-B, TAMD74C-A, TAMD74C-B, TAMD74L-A, TAMD74L-B, TAMD74P-A, TAMD74P-B, TAMD75P-A



17310

TAMD74A-A, TAMD74A-B, TAMD74C-A, TAMD74C-B, TAMD74L-A, TAMD74L-B, TAMD74P-A, TAMD74P-B, TAMD75P-A

REF	PART NO.	QTY	DESCRIPTION	SEE SEC.	NOTES
1	3839263	6	Cylinder liner kit		(877081)
2		6	• Cylinder liner		
3	271159	6	• Sealing ring kit		
4	276905	6	• Piston ring kit		
5		6	• Piston		
6	8192764	6	• Piston pin		
7	914526	12	• Snap ring		
8	8192800	6	Connecting rod		
9	8192804	24	• Screw		
10	8192803	6	• Bushing		
11	3137903	1	Crankshaft		Repl by 3807224
	3807224	1	Crankshaft, classified		
12	950681	1	• Pin		
13	422253	1	• Woodruff key		
14	471528	1	Gear		
			• Bulletin 45-01	45-01-EN	Timing Gears, 71, 100, 121
15	465779	1	Hub		
16	420124	1	Washer		
17	470366	1	Screw		
18	888020	1	Vibration damper		(3826415)
19	3829028	1	Pulley		
20	421796	8	Screw		
	8192579	8	Screw		Used when extra belt pulley is mounted.
21	276909	6	Big-end bearing kit		Std D
	276910	6	Big end bearing kit		U.S=0,25mm
	276911	6	Big end bearing kit		Under size=0,50mm
	(276912)	6	Big end bearing kit		U.S=0,76mm, Obsolete part
22	276894	7	Main bearing kit		Std D
	276895	7	Main bearing kit		U.S=0,25mm
	276896	7	Main bearing kit		Under size=0,50mm
	(276897)	7	Main bearing kit		U.S=0,76mm, Obsolete part
	276898	7	Main bearing kit		U.S=1,01mm
	(276899)	7	Main bearing kit		U.S=1,27mm, Obsolete part
23	276890	1	Thrust washer kit		Std D
	276891	1	Thrust washer kit		O.S=0,10mm
	276892	1	Thrust washer kit		O.S=0,20mm
	276893	1	Thrust washer kit		O.S=0,30mm
24	3827177	1	Flywheel		
25	420314	1	• Ring gear		
26	465826	9	Screw		
27	3978758	X	Shim		TH=0,12mm
	3978759	X	Shim		TH=0,20mm
	3978760	X	Shim		TH=0,30mm
	3978761	X	Shim		TH=0,50mm