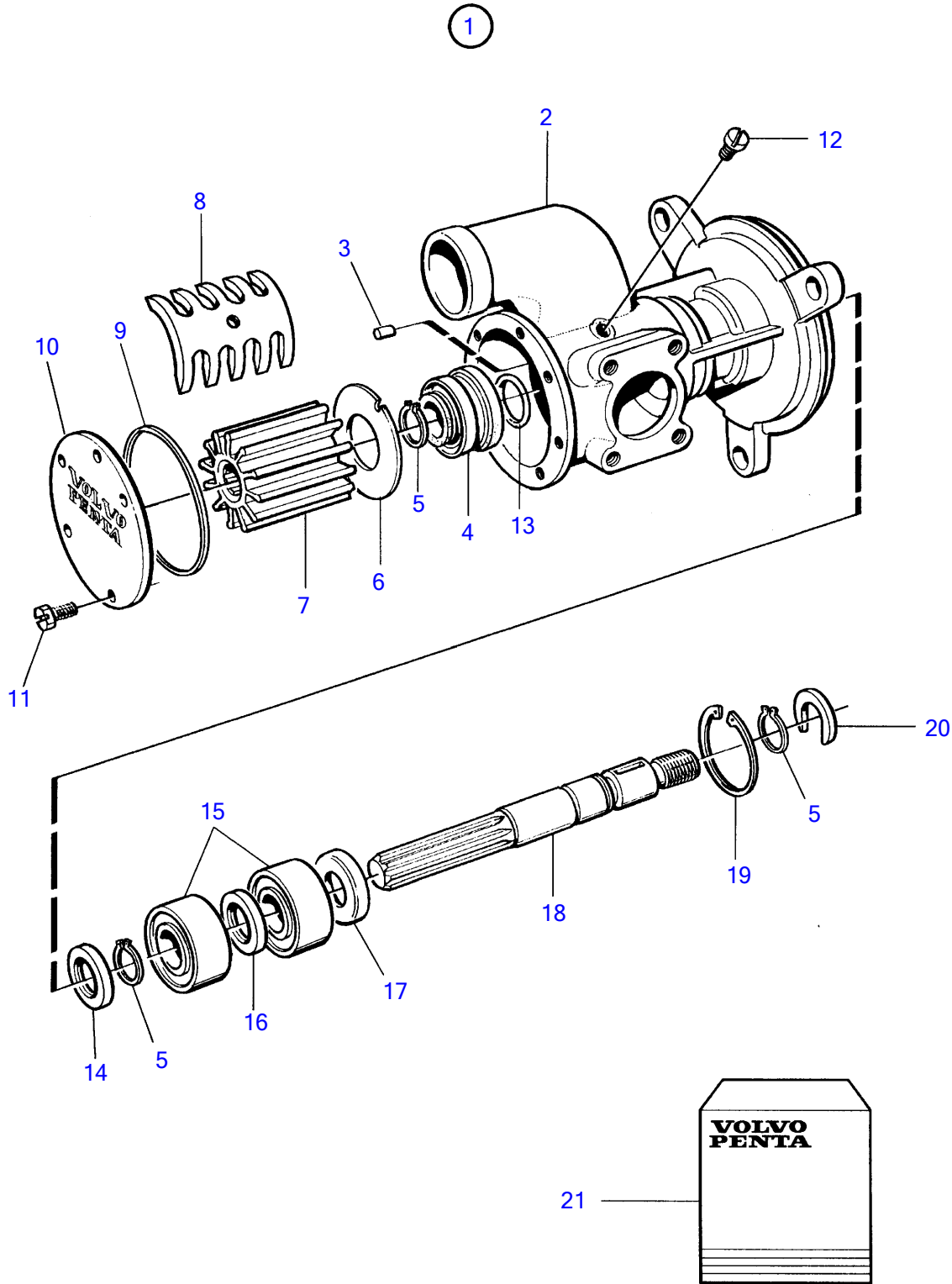


TAMD74A, TAMD74A-A, TAMD74A-B, TAMD74C-A, TAMD74C-B, TAMD74L-A, TAMD74L-B, TAMD74P-A, TAMD74P-B, TAMD75P-A



TAMD74A, TAMD74A-A, TAMD74A-B, TAMD74C-A, TAMD74C-B, TAMD74L-A, TAMD74L-B, TAMD74P-A, TAMD74P-B, TAMD75P-A

| REF | PART NO. | QTY | DESCRIPTION | NOTES |
|-----|----------|-----|------------------|-----------------|
| 1 | 3826296 | 1 | Sea water pump | Repl by 3830699 |
| 2 | | 1 | • Pump housing | |
| 3 | 826229 | 1 | • Locking pin | |
| 4 | 864649 | 1 | • Sealing | |
| 5 | 943468 | 3 | • Snap ring | |
| 6 | 826230 | 1 | • Wear washer | |
| 7 | | 1 | • Impeller | |
| 8 | 849321 | 1 | • Cam | |
| 9 | 3826725 | 1 | • O-ring | |
| 10 | 3826690 | 1 | • Cardboard tube | |
| 11 | 963554 | 5 | • Hexagon screw | |
| 12 | 825730 | 1 | • Screw | |
| 13 | 864648 | 1 | • O-ring | |
| 14 | 3826727 | 1 | • Sealing ring | |
| 15 | 11023 | 2 | • Ball bearing | (864646) |
| 16 | | 1 | • Spacer | |
| 17 | 3825110 | 1 | • Lock ring | |
| 18 | 3826689 | 1 | • Shaft | |
| 19 | 914533 | 1 | • Snap ring | |
| 20 | 3825109 | 1 | • Collar | |
| 21 | 877066 | 1 | Impeller kit | |
| | 877350 | 1 | Repair kit | (877065) |