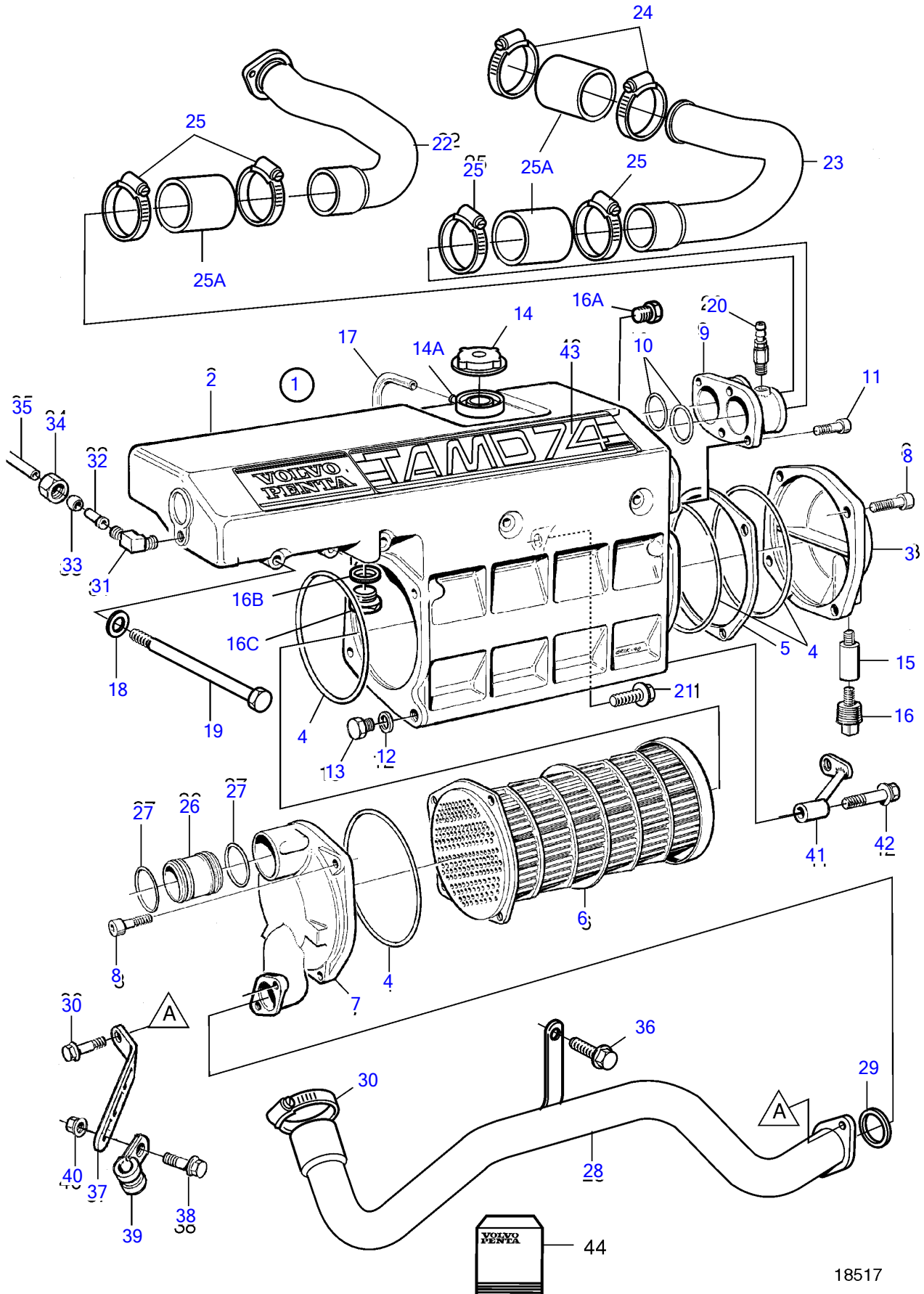


TAMD74A-A, TAMD74A-B



18517

TAMD74A-A, TAMD74A-B

REF	PART NO.	QTY	DESCRIPTION	NOTES
1	3828574	1	Heat exchanger	
2	3829900	1	Housing	
3	3828575	1	End plate	
4	3826783	4	• O-ring	
5	3826782	1	• Spacer	
6	3826790	1	• Insert	
7	3826788	1	• End plate	
8	959224	8	• Hex. socket screw	
9	866592	1	• Hose connection	
10	125362	2	• O-ring	
11	959222	4	• Hex. socket screw	
12	907132	1	• Gasket	
13	960628	1	• Plug	
14	1674083	1	• Pressure cap	
14A	3828863	1	• Rubber collar	
15	838929	1	• Anode	
16	838928	1	• Plug	
16A	981749	1	• Plug	
16B	947624	1	• Gasket	
16C	861918	1	• Plug	
17	192618	1	Hose	L=800mm
18	191172	5	Washer	
19	980359	5	Hexagon screw	L=220mm
20	949918	2	Shut-off cock	
21	947760	1	Flange screw	
22	3829733	1	Coolant pipe	Thermostat housing-heat exchanger.
23	(3829877)	1	Coolant pipe	Heat exchanger-water pump., Obsolete part
24	961672	2	Hose clamp	
25	961673	4	Hose clamp	
25A	943371	X	Rubber hose	L=80mm
26	866594	1	Tube	
27	866690	2	O-ring	
28	3832650	1	Coolant pipe	Heat exchanger-oil cooler.
29	864491	1	Gasket	
30	945444	2	Flange screw	
31	954385	1	Elbow nipple	
32	944717	1	Support sleeve	
33	954364	1	Sleeve	
34	954356	1	Fitting nut	
35	945460	1	Tube	L=1110mm
36	965187	1	Flange screw	
37	965577	1	Bracket	
38	946544	1	Flange screw	
39	952627	1	Clamp	
40	945407	1	Flange nut	
41	3826392	1	Stay	
42	965180	1	Flange screw	
43	3830245	1	Decal	TAMD74