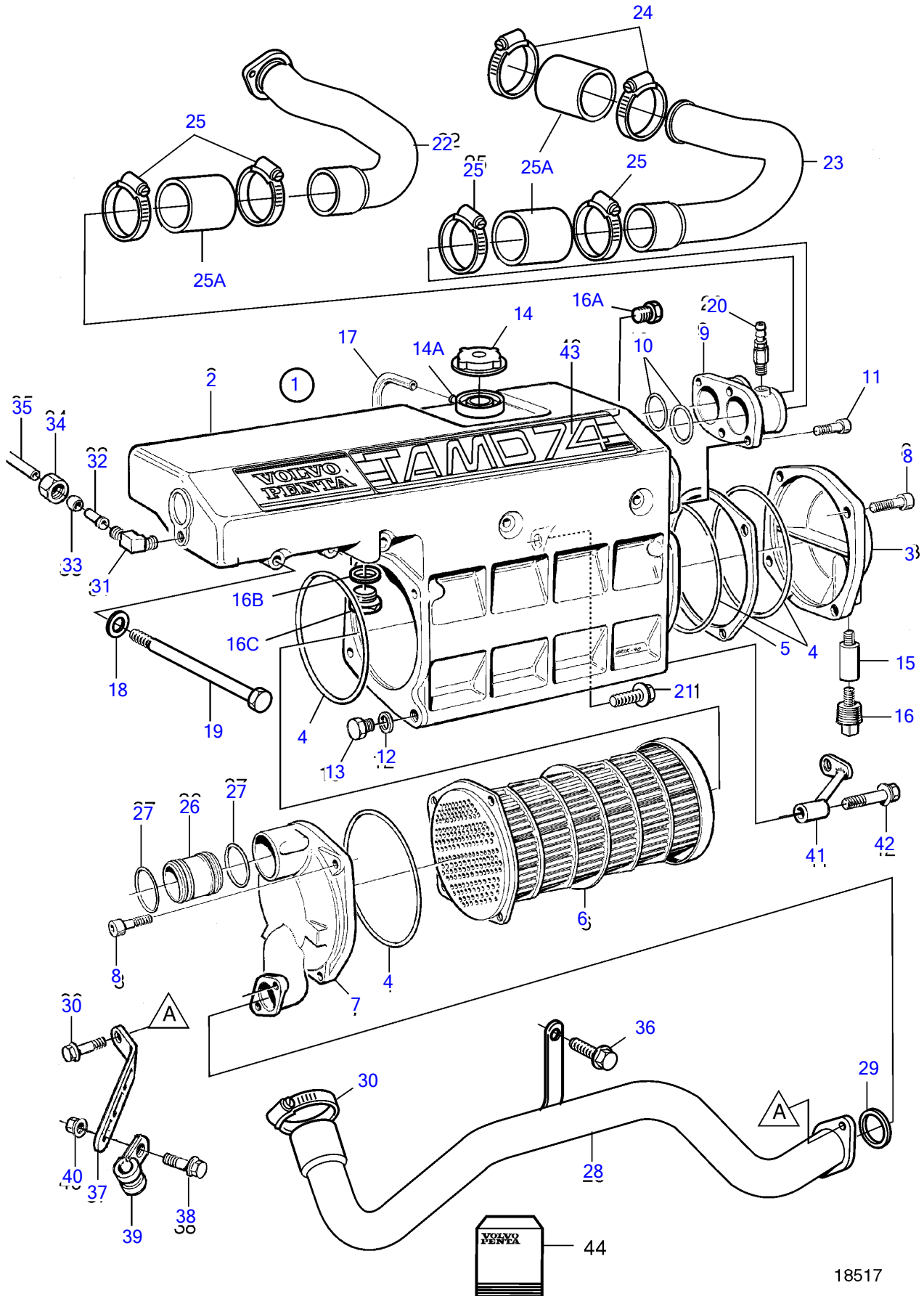


TAMD74A-A, TAMD74A-B



18517

TAMD74A-A, TAMD74A-B

| REF | PART NO. | QTY | DESCRIPTION | NOTES |
|-----|-----------|-----|---------------------|---|
| 1 | 3828574 | 1 | Heat exchanger | |
| 2 | 3829900 | 1 | Housing | |
| 3 | 3828575 | 1 | End plate | |
| 4 | 3826783 | 4 | • O-ring | |
| 5 | 3826782 | 1 | • Spacer | |
| 6 | 3826790 | 1 | • Insert | |
| 7 | 3826788 | 1 | • End plate | |
| 8 | 959224 | 8 | • Hex. socket screw | |
| 9 | 866592 | 1 | • Hose connection | |
| 10 | 125362 | 2 | • O-ring | |
| 11 | 959222 | 4 | • Hex. socket screw | |
| 12 | 907132 | 1 | • Gasket | |
| 13 | 960628 | 1 | • Plug | |
| 14 | 1674083 | 1 | • Pressure cap | |
| 14A | 3828863 | 1 | • Rubber collar | |
| 15 | 838929 | 1 | • Anode | |
| 16 | 838928 | 1 | • Plug | |
| 17 | 192618 | 1 | Hose | L=800mm |
| 18 | 191172 | 5 | Washer | |
| 19 | 980359 | 5 | Hexagon screw | L=220mm |
| 20 | 966871 | 2 | Shut-off cock | |
| 21 | 947760 | 1 | Flange screw | |
| 22 | 3829733 | 1 | Coolant pipe | Thermostat housing-heat exchanger. |
| 23 | (3829877) | 1 | Coolant pipe | Heat exchanger-water pump., Obsolete part |
| 24 | 961672 | 2 | Hose clamp | |
| 25 | 961673 | 4 | Hose clamp | |
| 25A | 943371 | X | Rubber hose | L=80mm |
| 26 | 866594 | 1 | Tube | |
| 27 | 866690 | 2 | O-ring | |
| 28 | 3832650 | 1 | Coolant pipe | Heat exchanger-oil cooler. |
| 29 | 864491 | 1 | Gasket | |
| 30 | 945444 | 2 | Flange screw | |
| 31 | 954385 | 1 | Elbow nipple | |
| 32 | 944717 | 1 | Support sleeve | |
| 33 | 954364 | 1 | Sleeve | |
| 34 | 954356 | 1 | Fitting nut | |
| 35 | 945460 | 1 | Tube | L=1110mm |
| 36 | 965187 | 1 | Flange screw | |
| 37 | 965577 | 1 | Bracket | |
| 38 | 946544 | 1 | Flange screw | |
| 39 | 952627 | 1 | Clamp | |
| 40 | 945407 | 1 | Flange nut | |
| 41 | 3826392 | 1 | Stay | |
| 42 | 965180 | 1 | Flange screw | |
| 43 | 3830245 | 1 | Decal | TAMD74 |