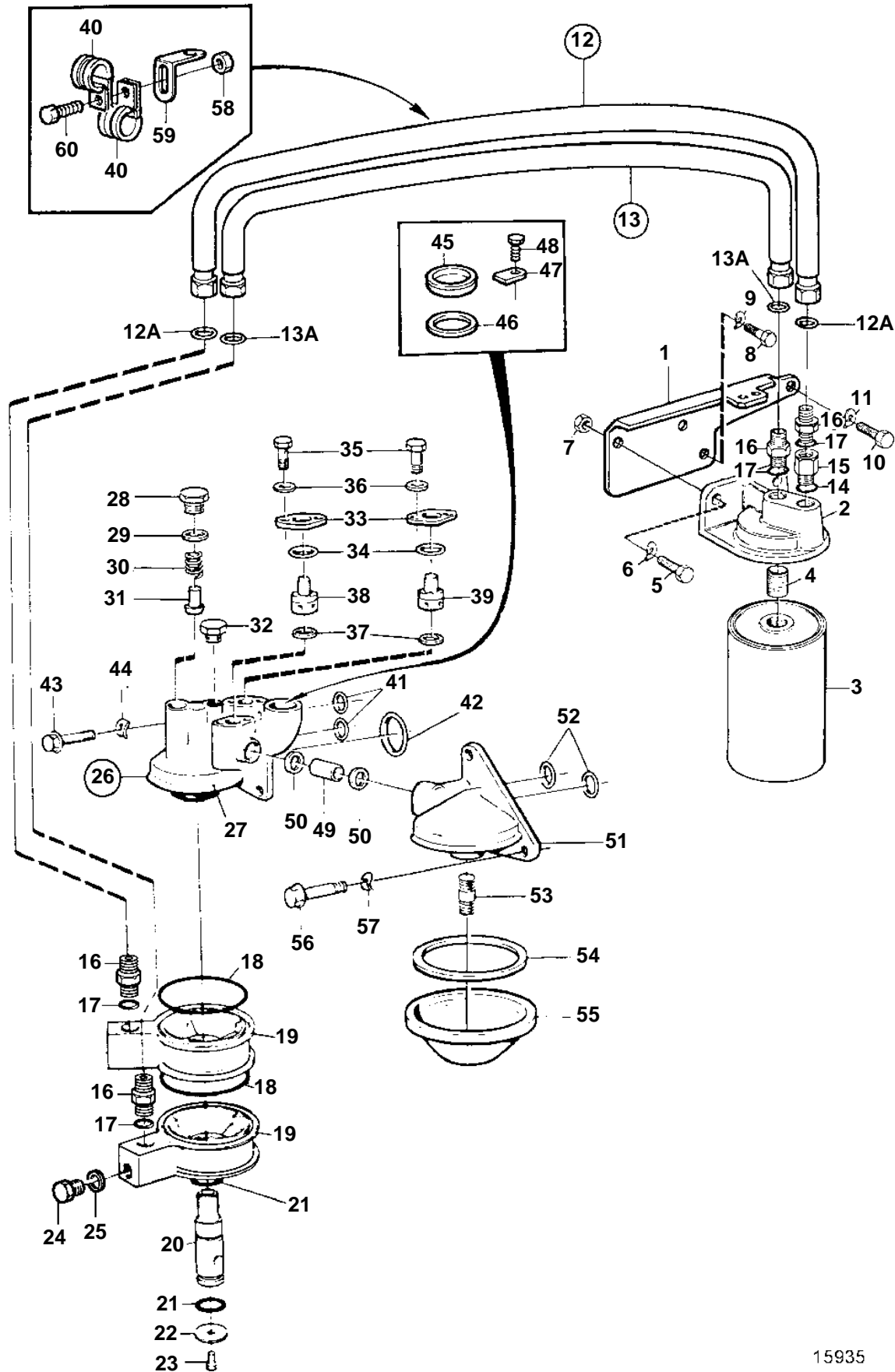


TAMD72P-A, TAMD72WJ-A



15935

## TAMD72P-A, TAMD72WJ-A

REF	PART NO.	QTY	DESCRIPTION	NOTES
1	3825375	1	Bracket	(848510)
2	848509	1	Housing	
3	847741	1	Oil filter	
4	466623	1	Nipple	
5	970947	2	Screw	
6	976945	2	Washer	
7	971071	2	Nut	
8	946440	2	Flange screw	
9	941907	2	Spring washer	
10	970944	1	Screw	
11	862692	1	Washer	
12	863341	1	Hose	L=775mm
12A	4880663	2	· O-ring	
13	863346	1	Hose	L=680mm
13A	4880663	2	· O-ring	
14	948885	1	Gasket	
15	863345	1	Nipple	
16	947554	4	Nipple	
17	948885	4	Gasket	
18	949647	2	O-ring	
19	848502	2	Cover	
20	848504	1	Tube	
21	949658	2	O-ring	
22	862692	1	Washer	
23	970947	1	Screw	L=20mm
24	960632	2	Plug	
25	948884	2	Washer	
26	864611	1	Oil filter housing	
27		1	· Housing	
28	471598	1	· Plug	
29	947627	1	· Gasket	
30	466653	1	· Spring	
31	471085	1	· Valve	
32	479979	1	· Plug	
33	471648	2	· Cover	
34	949659	2	· O-ring	
35	955272	4	· Screw	
36	955892	4	· Washer	
37	469846	2	· Sealing ring	
38	471646	1	· Reducing valve	WHITE
39	471707	1	· Reducing valve	YELLOW
40	952634	2	Clamp	
41	949656	2	O-ring	
42	949722	1	O-ring	
43	946329	2	Flange screw	L=25mm
	965222	1	Screw	L=65mm
44	941908	3	Spring washer	
45	848319	1	Plug	
46	421629	1	Sealing ring	
47	848318	1	Anchorage	
48	946440	1	Flange screw	
49	471602	1	Tube	
50	471956	2	Sealing ring	
51	471601	1	Housing	
52	949656	2	O-ring	
53	469904	1	Nipple	
54	948981	1	O-ring	
55	848431	1	Cover	
56	946329	3	Flange screw	
57	941908	3	Spring washer	
58	945407	1	Flange nut	
59	965552	1	Bracket	
60	947542	1	Screw	