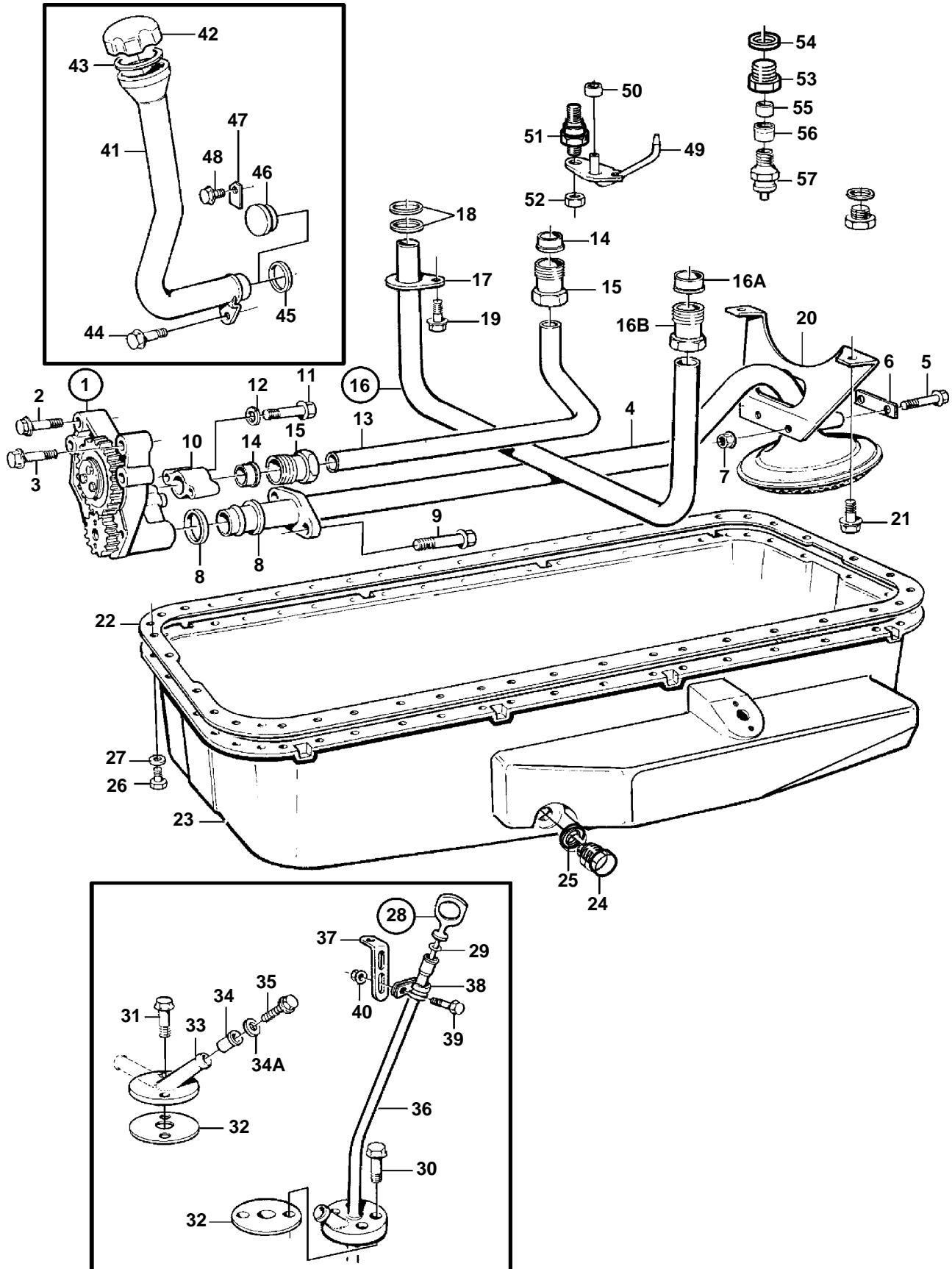


TAMD72P-A, TAMD72WJ-A



17013

TAMD72P-A, TAMD72WJ-A

REF	PART NO.	QTY	DESCRIPTION	SEE SEC.	NOTES
1	864760	1	Oil pump		
				1036	
2	471513	4	Screw		
3	471734	2	Screw		
4	864538	1	Oil pump screen		
5	965218	2	Screw		
6	421750	1	Washer		
7	945408	1	Flange nut		
8	470383	2	Sealing ring		
9	965184	2	Screw		FOR 864760
10	465846	1	Intermediate section		
11	955310	2	Screw		FOR 864760
12	941907	2	Spring washer		
13	477948	1	Oil feed pipe, incl 1 nut and ferrule		
14	956972	1	Ferrule		FOR 477948
15	471588	1	Pressure pipe connec		FOR 477948
16	420996	1	Oil feed pipe, piston cooling		
16A	980786	1	· Ferrule		
16B	471588	1	· Pressure pipe connec		
17	471746	2	· Clamp		
18	471956	1	Sealing ring		
19	946440	1	Flange screw		
20	847698	1	Bracket		
21	946440	2	Flange screw		
22	865342	1	Gasket		
23	3827987	1	Oil pan		(847809). Later version of the oil sump has no hole for oil draining.
24	960634	1	Plug		Later version of the oil sump has no hole for oil draining.
25	18677	1	Gasket		Later version of the oil sump has no hole for oil draining.
26	940142	36	Screw		
27	941907	36	Spring washer		
28	848058	2	Oil dipstick		STD. 1 ea is used on WJ.
	863166	2	Oil dipstick		For engine inclination over 5°.
29	949187	2	· O-ring		1 ea is used on WJ.
30	947542	2	Screw		L=25mm
31	946544	2	Flange screw		L=16mm
32	865385	2	Gasket		
33	864707	1	Flange		
34	843108	1	Bushing		
34A	940090	1	Washer		
35	965200	1	Flange screw		
36	864710	2	Tube		1 ea is used on WJ.
37	965558	2	Bracket		1 ea is used on WJ.
38	952627	2	Clamp		1 ea is used on WJ.
39	946544	2	Flange screw		1 ea is used on WJ.
40	945407	2	Flange nut		1 ea is used on WJ.
41	848581	1	Oil filler pipe		Oil filler pipe 848581, cap 421753 and gasket 940096 are not standard equipment from SNXXXXXXXXXX/66654-
42	421753	1	Oil filler cap		Oil filler pipe 848581, cap 421753 and gasket 940096 are not standard equipment from SNXXXXXXXXXX/66654-
43	940096	1	Gasket		Oil filler pipe 848581, cap 421753 and gasket 940096 are not standard equipment from SNXXXXXXXXXX/66654-
44	946173	1	Flange screw		
45	421629	1	Sealing ring		
46	848319	1	Plug		ALT
47	848318	1	Anchorage		ALT
48	946440	1	Flange screw		ALT, L=16mm
49	420628	6	Nozzle, piston cooling		
50	466874	6	Sealing ring		
51	471596	6	Stud		
52	948570	6	Lock nut		
53	966146	1	Plug		SN-XXXXXXXXXX/41796

TAMD72P-A, TAMD72WJ-A

REF	PART NO.	QTY	DESCRIPTION	SEE SEC.	NOTES
54	947629	1	Gasket		SN-XXXXXXXXXX/41796
55	864531	1	Tube		
56	956972	1	Ferrule		
57	864533	1	Reducing valve, piston cooling		