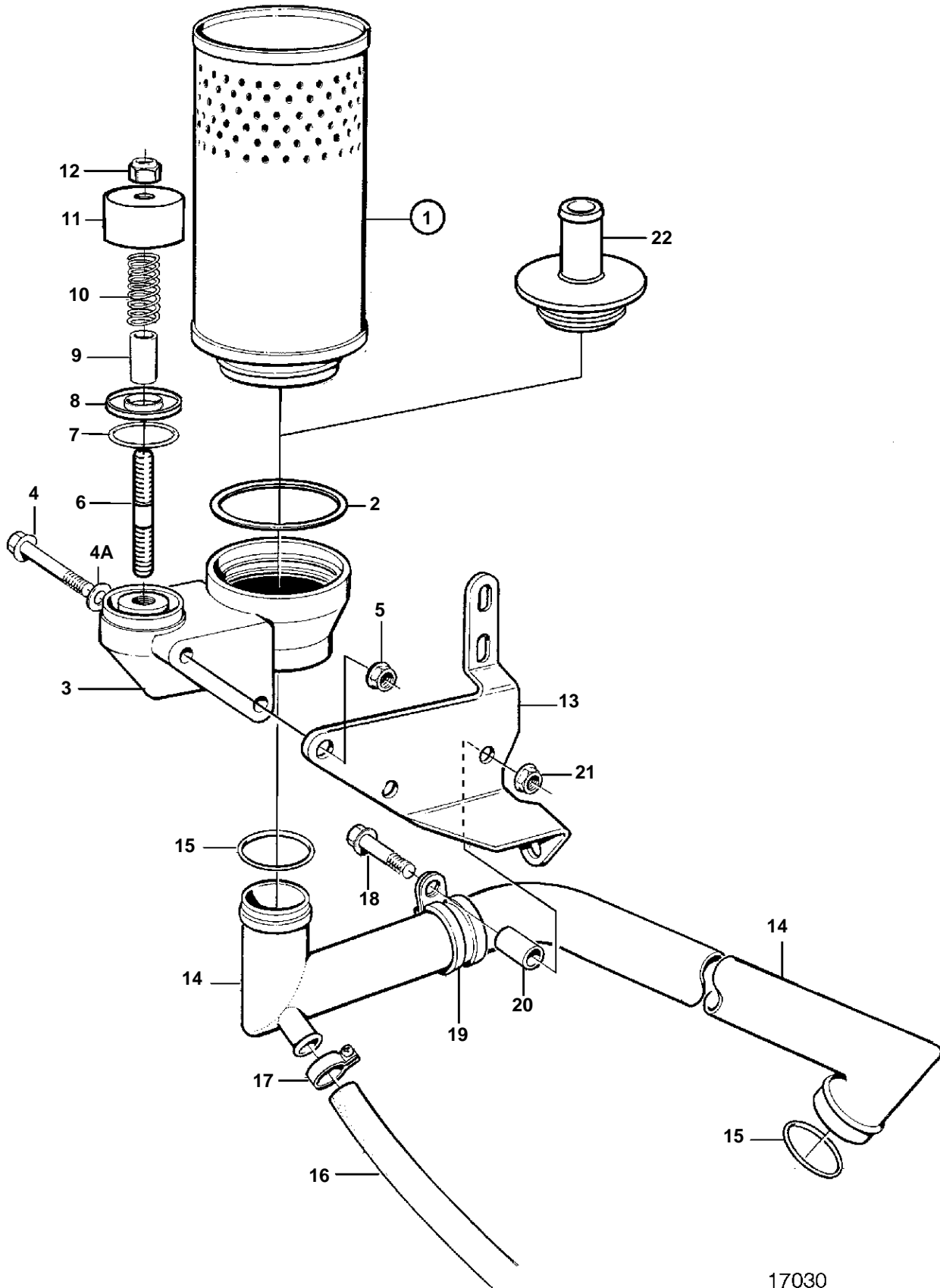


TAMD72P-A, TAMD72WJ-A



17030

TAMD72P-A, TAMD72WJ-A

REF	PART NO.	QTY	DESCRIPTION	NOTES
1	876069	1	Filter	
2	843449	1	• Gasket	
3	843356	1	Housing	
4	965182	2	Flange screw	
4A	955894	2	Washer	
5	945408	2	Flange nut	(968862)
6	924058	1	Stud	
7	421158	1	Sealing ring	
8	842972	1	Valve disc	
9	842974	1	Spacer sleeve	
10	843301	1	Spring	
11	842975	1	Cover	
12	963105	1	Nut	
13	865336	1	Bracket	
14	865337	1	Pipe	
15	421158	2	Sealing ring	
16	943707	1	Rubber hose	I.D=12mm, L=540mm
17	945754	2	Hose clamp	
18	965212	1	Screw	
19	952637	1	Clamp	
20	846339	1	Spacer sleeve	
21	945407	1	Flange nut	
22	845260	1	Hose attachment	