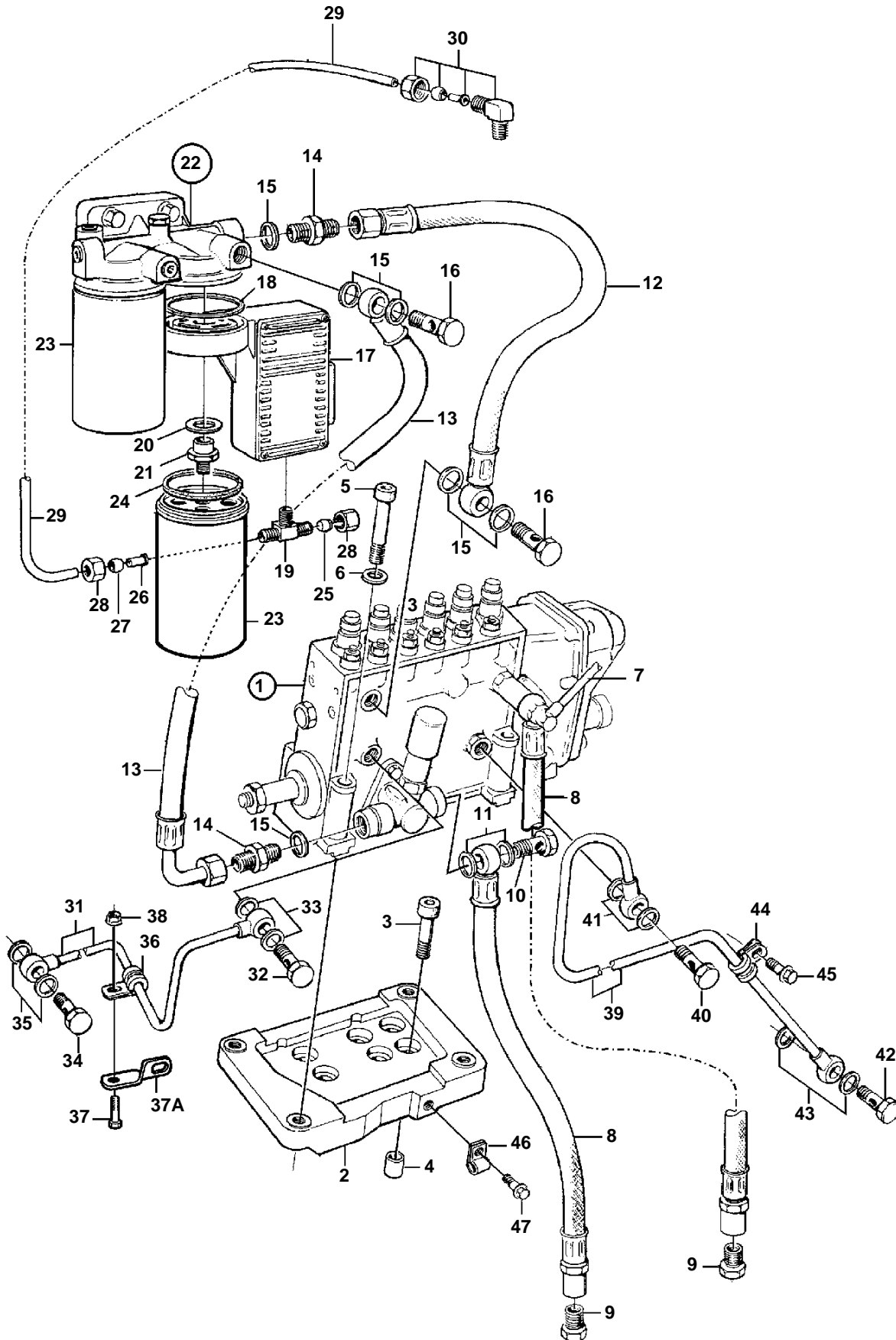


TAMD72P-A



17116

TAMD72P-A

REF	PART NO.	QTY	DESCRIPTION	SEE SEC.	NOTES
1	3825439	1	Injection pump		
	3803734	1	Injection pump, exch		Exchange unit
				3619	
2	477773	1	Shelf		
3	965185	4	Flange screw		L=40mm
4	417588	2	Guide sleeve		
5	959250	4	Screw		L=90mm
6	941908	4	Spring washer		
7		1	Leak-off linefuel hose connecting	2478	
8	866964	2	Fuel hose		L=40mm
9	22753	2	Nipple		
10	25167	1	Hollow screw		L=90mm
11	969011	2	Gasket		
12	866701	1	Fuel hose		
13	866702	1	Fuel hose		(845372)
14	941754	2	Nipple		
15	969011	6	Gasket		
16	25167	2	Hollow screw		
17	3826758	1	Control unit	SO	(873630)
18	3825387	1	· Sealing ring		
19	946082	1	· Nipple		
20	955904	1	Washer		
21	3825333	1	Nipple		
22	8194541	1	Filter housing		(1676832)
				2501	
23	3825133	2	Fuel filter	2501	
24		1	Gasket	2501	
25	943006	1	Plug		
26	944717	1	Sleeve		
27	954364	1	Fitting		
28	954356	2	Cap nut		
29	945460	1	Plastic pipe	3566	
30		1	Connector	3566	
31	477986	1	Oil feed pipe		
32	48634	1	Hollow screw		
33	947281	2	Gasket		
34	969299	1	Hollow screw		
35	11994	2	Gasket		
36	952623	1	Clamp		
37	946544	1	Flange screw		
37A	1136551	1	Bracket		
38	945407	1	Flange nut		
39	865251	1	Oil return pipe		
40	48634	1	Hollow screw		
41	907132	2	Gasket		
42	25167	1	Hollow screw		
43	969011	2	Gasket		
44	947191	1	Clamp		
45	946471	1	Screw		
46	940374	1	Clamp		
47	946440	1	Flange screw		