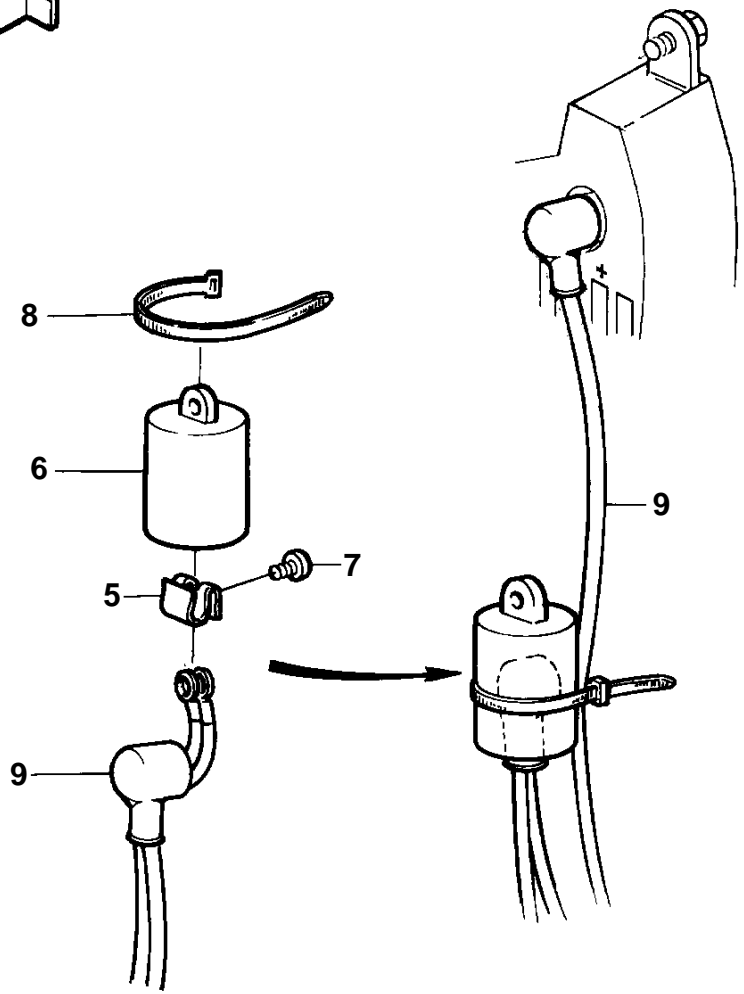
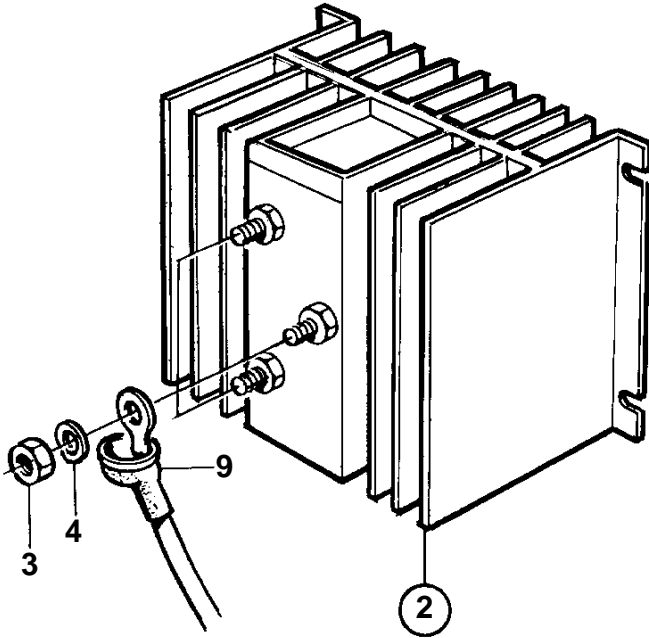


COMMON

①



**COMMON**

REF	PART NO.	QTY	DESCRIPTION	SEE SEC.	NOTES
1	873120	1	Charge distributor		For charging of 2 batteries.. For alternators 12-28V up to 60A. Charging Distributor
			Bulletin 52-07	52-07-EN	
			Bulletin 52-11	52-11-EN	
2	872928	1	• Charge distributor		
3	955846	3	• Nut		
4	941906	3	• Spring washer		
5	859492	1	• Spring nut		
6	859493	1	• Protecting casing		
7	955126	1	• Screw		
8	948211	1	• Strip clamp		
9		X	Electrical materials	1963	