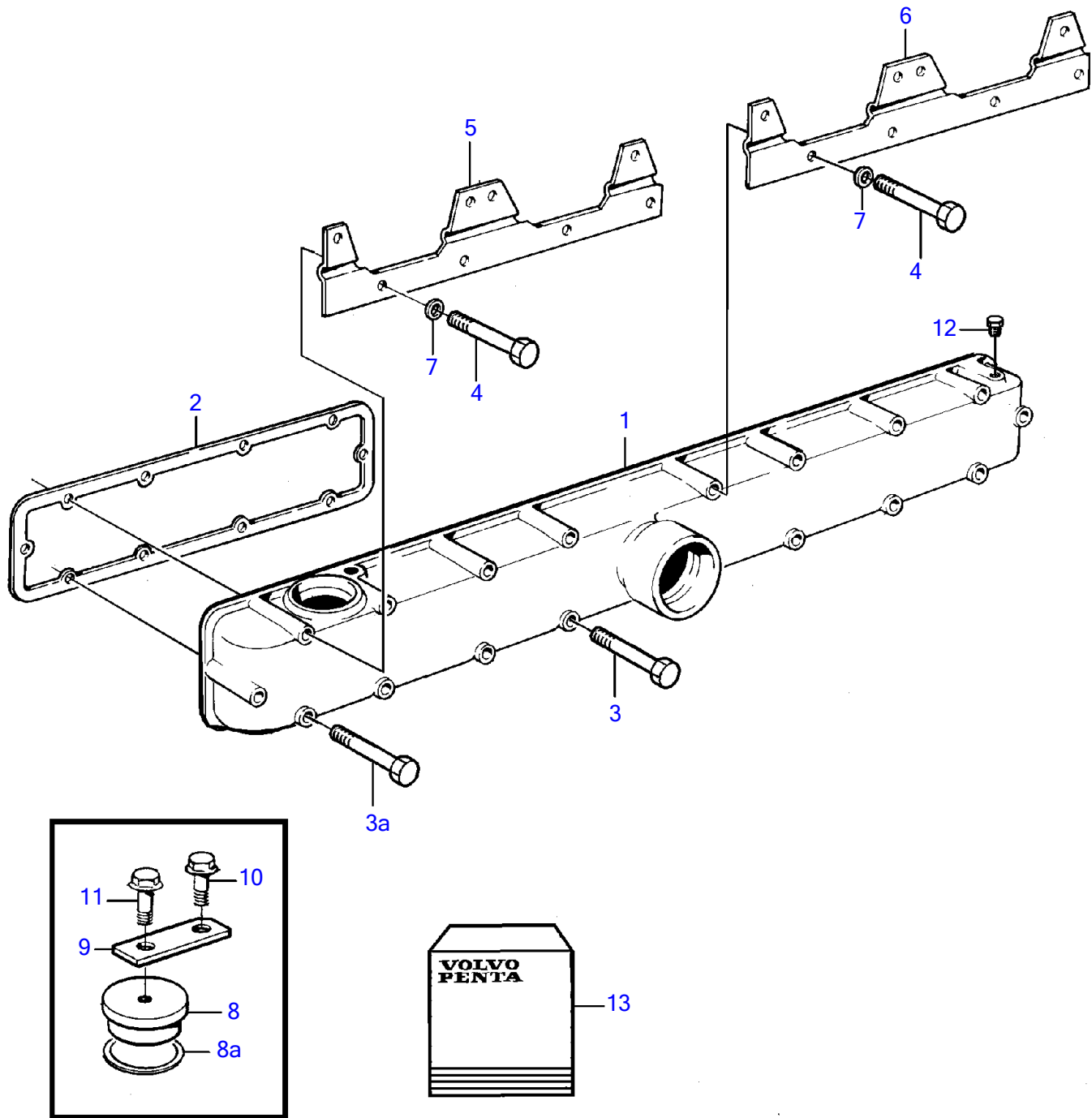


TAMD72P-A



17019

TAMD72P-A

REF	PART NO.	QTY	DESCRIPTION	NOTES
1	863410	1	Inlet pipe	
2	424612	2	Gasket	Included in gasket kit.
3	940129	8	Hexagon screw	L=90mm
3A	955306	2	Hexagon screw	L=80mm
4	100223	8	Hexagon screw	L=95mm
5	848102	1	Attaching plate	
6	849435	1	Attaching plate	Alt
7	941907	18	Spring washer	
8	864867	1	Plug	
8A	925071	1	O-ring	Included in gasket kit.
9	865659	1	Anchorage	
10	965175	1	Flange screw	
11	946544	1	Flange screw	
13	876623	1	Intake gasket kit	See group 99