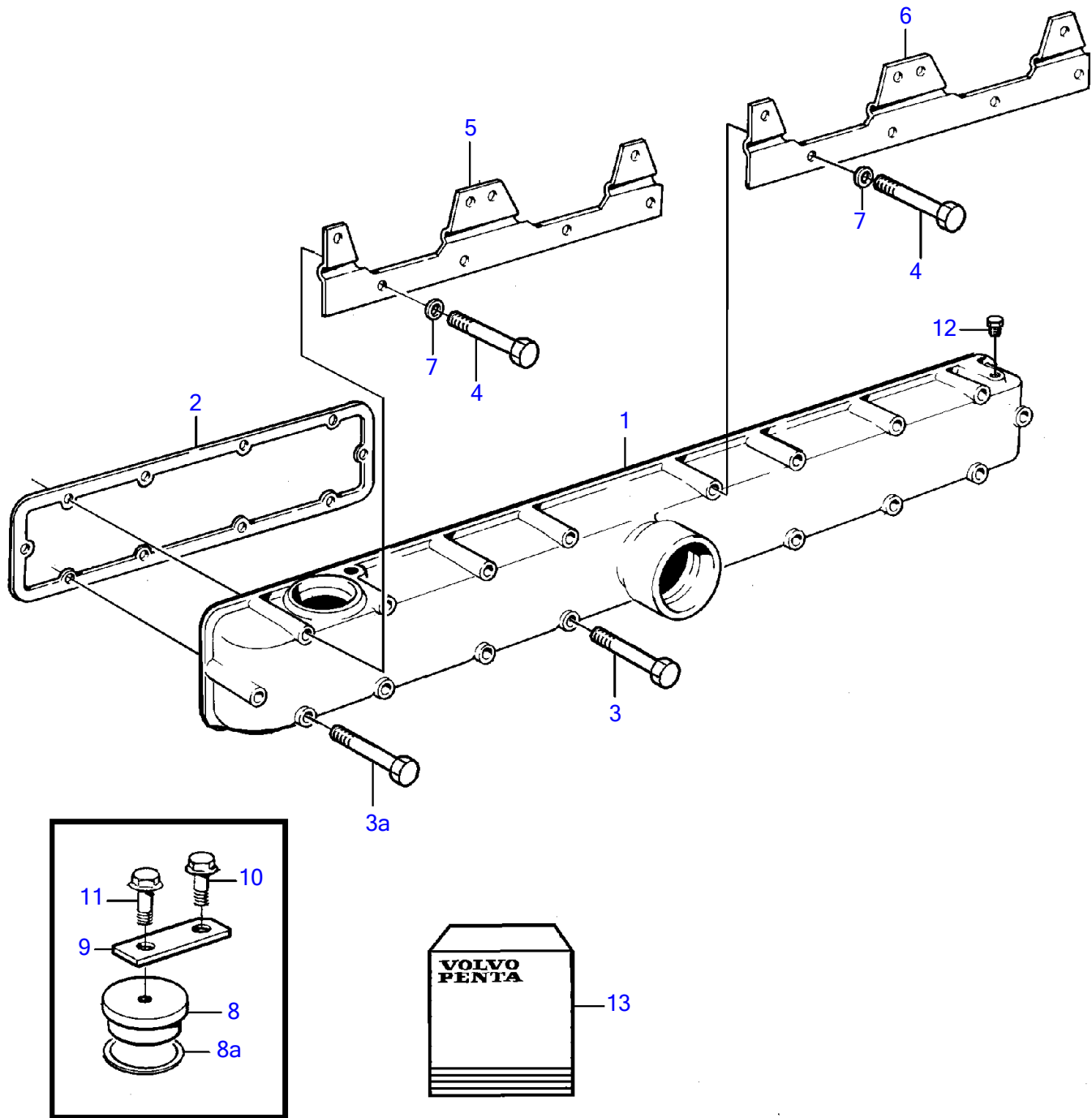


TAMD72P-A



17019

TAMD72P-A

| REF | PART NO. | QTY | DESCRIPTION | NOTES |
|-----|----------|-----|-------------------|-------------------------|
| 1 | 863410 | 1 | Inlet pipe | |
| 2 | 424612 | 2 | Gasket | Included in gasket kit. |
| 3 | 940129 | 8 | Hexagon screw | L=90mm |
| 3A | 955306 | 2 | Hexagon screw | L=80mm |
| 4 | 100223 | 8 | Hexagon screw | L=95mm |
| 5 | 848102 | 1 | Attaching plate | |
| 6 | 849435 | 1 | Attaching plate | Alt |
| 7 | 941907 | 18 | Spring washer | |
| 8 | 864867 | 1 | Plug | |
| 8A | 925071 | 1 | O-ring | Included in gasket kit. |
| 9 | 865659 | 1 | Anchorage | |
| 10 | 965175 | 1 | Flange screw | |
| 11 | 946544 | 1 | Flange screw | |
| 13 | 876623 | 1 | Intake gasket kit | See group 99 |