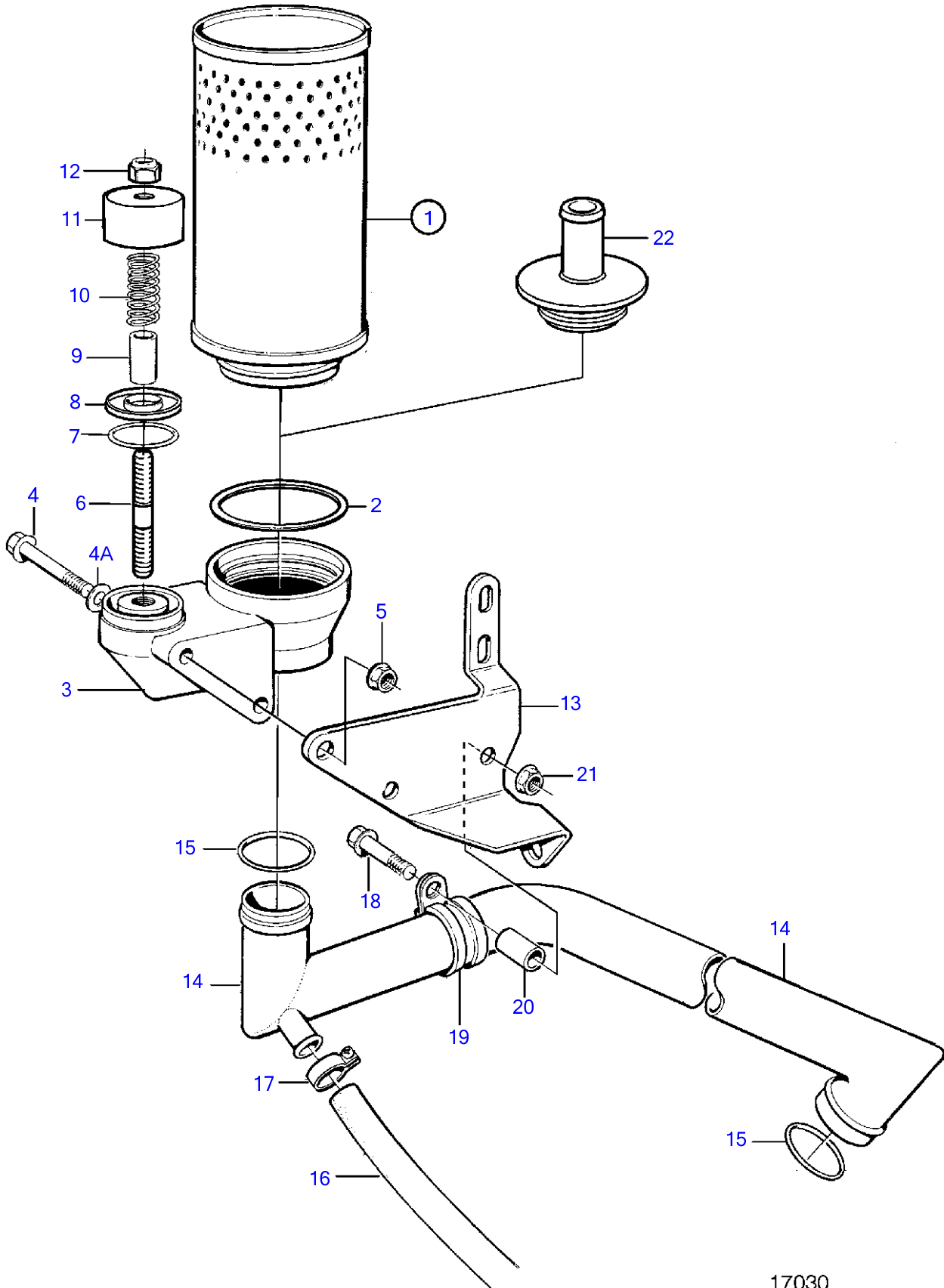


TAMD72P-A, TAMD72WJ-A



## TAMD72P-A, TAMD72WJ-A

REF	PART NO.	QTY	DESCRIPTION	SEE SEC.	NOTES
1	876069	1	Filter		
2	843449	1	• Gasket		
3	843356	1	Connector housing		
4	965182	2	Flange screw		
4A	955894	2	Washer		
5	945408	2	Flange nut		(968862)
6	924058	1	Stud		
7	421158	1	Sealing ring		
8	842972	1	Valve disc		
9	842974	1	Spacer sleeve		
10	843301	1	Spring		
11	842975	1	Protecting casing		
12	963105	1	Lock nut		
13	865336	1	Bracket		
14	865337	1	Breather pipe		
			• Installation Instruction 7734474	7734474-EN	Replacement of Air Filter Bracket
15	421158	2	Sealing ring		
16	943707	1	Hose		I.D=12mm, L=540mm
17	945754	2	Hose clamp		
18	965212	1	Flange screw		
19	952637	1	Clamp		
20	846339	1	Spacer sleeve		
21	945407	1	Flange nut		
22	845260	1	Hose attachment		