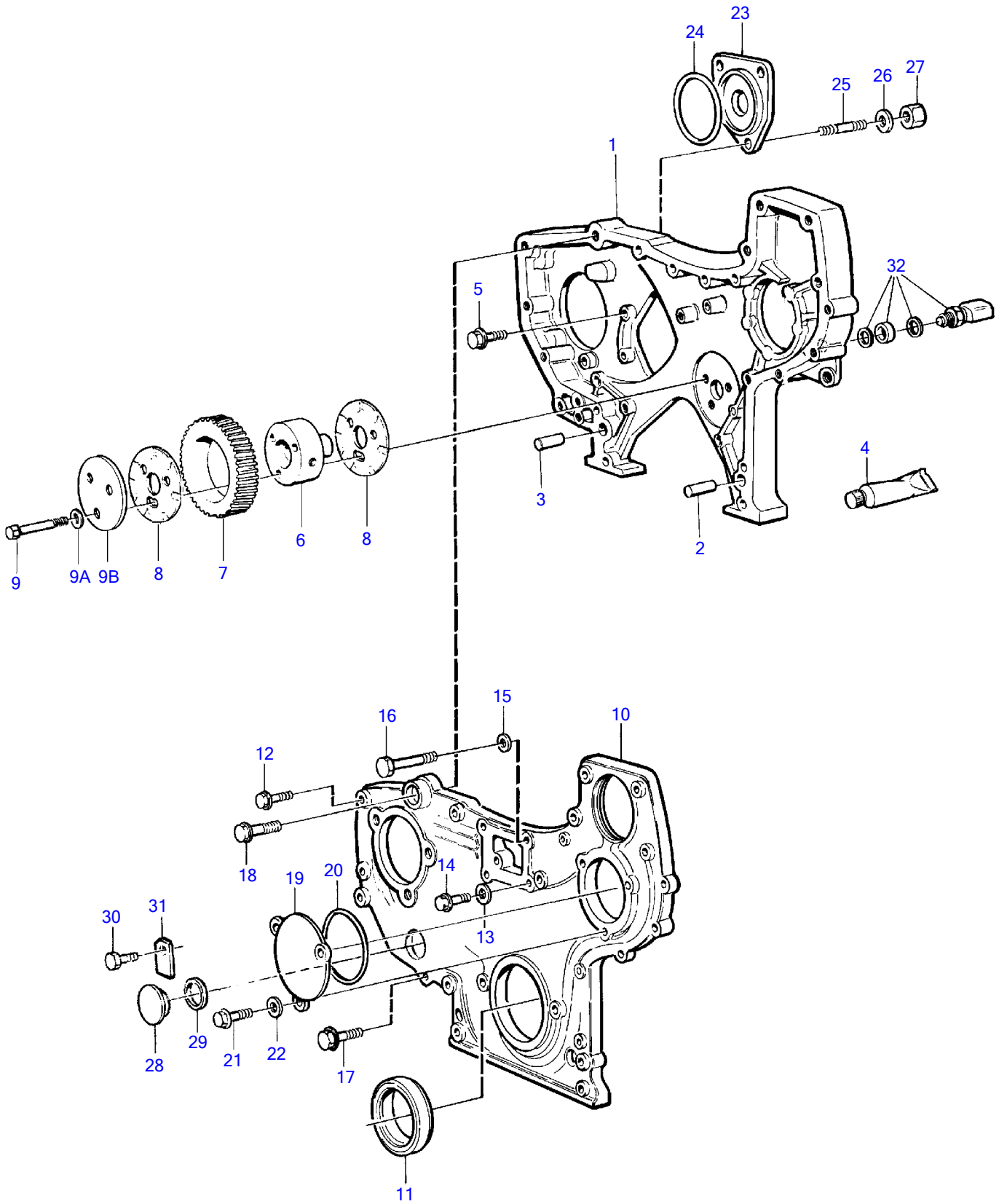


TAMD72P-A, TAMD72WJ-A



TAMD72P-A, TAMD72WJ-A

REF	PART NO.	QTY	DESCRIPTION	SEE SEC.	NOTES
1	471505	1	Timing gear casing		
2	941511	1	Pin		
3	941510	1	Pin		
4	1161231	X	Sealant		304ml
	1161277	X	Sealant		20g
5	471534	2	Screw		L=28mm
	471535	2	Screw		L=58mm
6	479779	1	Bearing spindle		
7	8192578	1	Idler gear		
8	478951	2	Thrust washer		
9	8192579	3	Flange screw		
9A	942180	3	Disc spring		
9B	478954	1	Bearing shield		
10	3826306	1	Timing gear cover		
11	477118	1	Sealing ring		
12	947760	7	Flange screw		M8x40mm
	948217	2	Flange screw		M8x45mm
	965216	1	Flange screw		M8x55mm
	965182	7	Flange screw		M8x80mm
13	947281	2	Gasket		
14	946471	2	Flange screw		M10x16mm
15	955895	2	Washer		
16	(100338)	2	Hexagon screw		M10x95mm, Obsolete part
17	965220	1	Flange screw		
18	965227	1	Flange screw		M12x55mm, early type
	970989	1	Hexagon screw, cool. water pipe		M12x180mm
19	471559	1	Cover		
20	925257	1	O-ring		
21	945444	3	Flange screw		
22	941907	3	Spring washer		
23	420178	1	Cover, hydraulic pump		
24	975610	1	O-ring		
25	967951	3	Stud		
26	941911	3	Spring washer		
27	971073	3	Hexagon nut		
28		1	Plug	2087	
29		1	Sealing ring	2087	
30		1	Screw	2087	
31		1	Anchorage	2087	
32		1	Tachometer sensor		See group 30