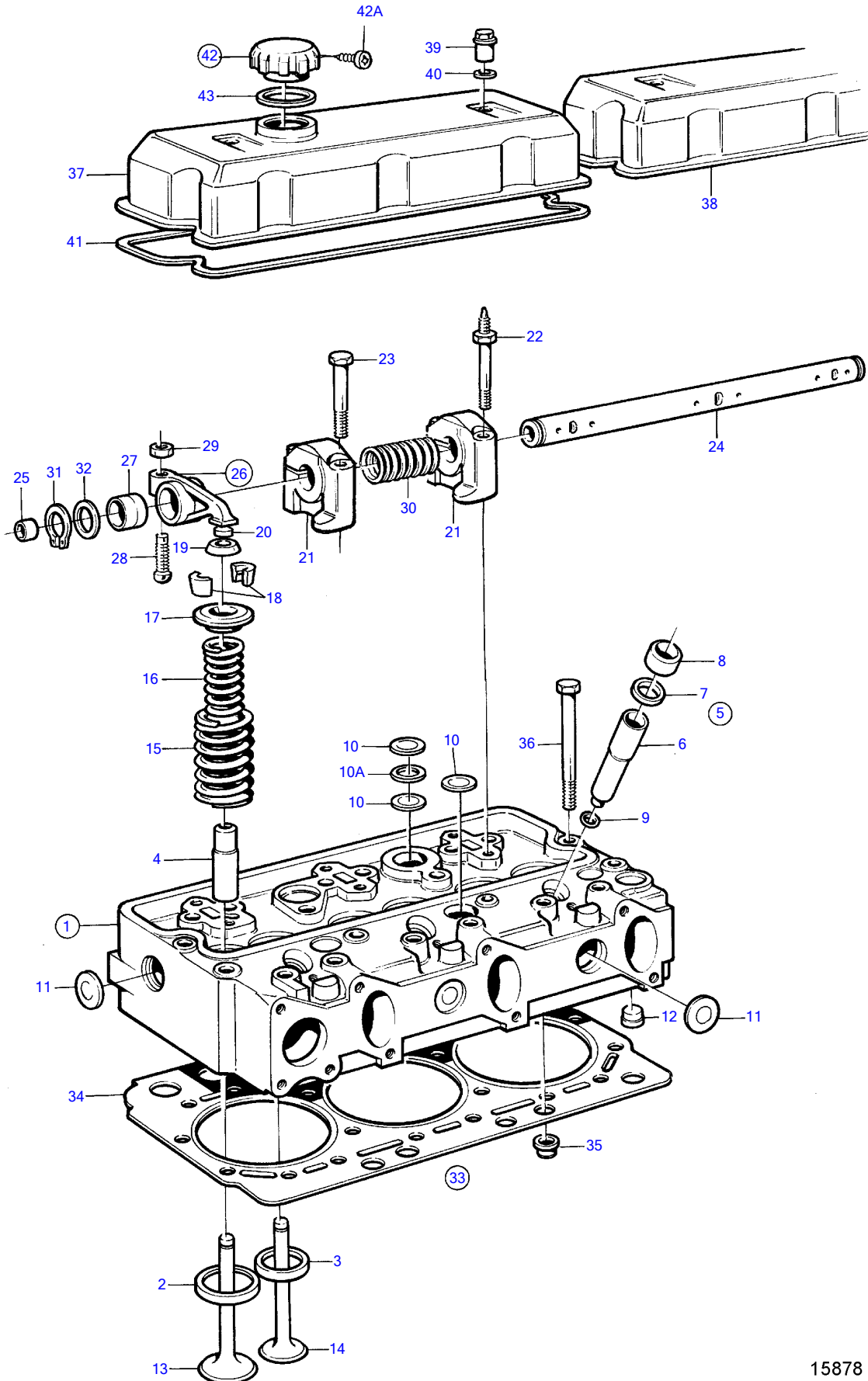


TAMD72P-A, TAMD72WJ-A



15878

## TAMD72P-A, TAMD72WJ-A

REF	PART NO.	QTY	DESCRIPTION	NOTES
1	3803310	2	Cylinder head	(864814)
2	864993	6	• Valve seat, intake	Std D
	864983	6	• Valve seat, intake	O.S=0,20mm
3	864994	6	• Valve seat, exhaust	Std D
	864982	6	• Valve seat, exhaust	O.S=0,20mm
4	466386	12	• Valve guide	
5	276130	6	• Copper sleeve kit, fuel injector	
6	477928	6	• • Spray sleeve	
7	466405	6	• • Sealing ring	
8	466420	6	• • Ring	
9	466922	6	• • O-ring	
10	477026	14	• Expansion plug	D=26mm
10A	947626	4	• Gasket	
11	477024	8	• Expansion plug	D=35mm
12	465420	10	• Jet	
13	864917	6	• Inlet valve	Fr 3825908
	3825908	6	• Inlet valve	Nimonic
14	842080	6	• Exhaust valve	
15	466384	12	• Valve spring	
16	466383	12	• Valve spring	
17	466382	12	• Valve spring washer	
18	468305	24	• Valve cotter	
19	469456	12	• Protecting ring	
20	478074	12	• Valve cap	
21	477384	6	Bearing bracket	
22	471512	4	Stud	
23	471513	8	Screw	
24	471518	2	Rocker arm shaft	
25	946778	4	• Cap plug	
26	422063	12	Rocker arm	
27	422066	12	• Bushing	
28	422993	12	• Ball stud	
29	940175	12	• Hexagon nut	
30	421173	4	Spring	
31	914459	4	Snap ring	
32	941488	4	Washer	
33	276816	2	Cylinder head gasket	
34		2	• Gasket	
35	465784	12	• Sealing ring	I.D=26mm
	466421	16	• Sealing ring	I.D=16mm
	422413	2	• Sealing ring	I.D=11mm
36	471481	40	Flange screw	
37	471813	1	Valve cover	
38	471426	1	Valve cover	
39	465961	4	Cap nut	
40	471856	4	Sealing ring	
41	471520	2	Gasket	
42	421753	1	Oil filler cap	
42A	955126	3	• Cross recessed screw	
43	940096	1	Gasket	