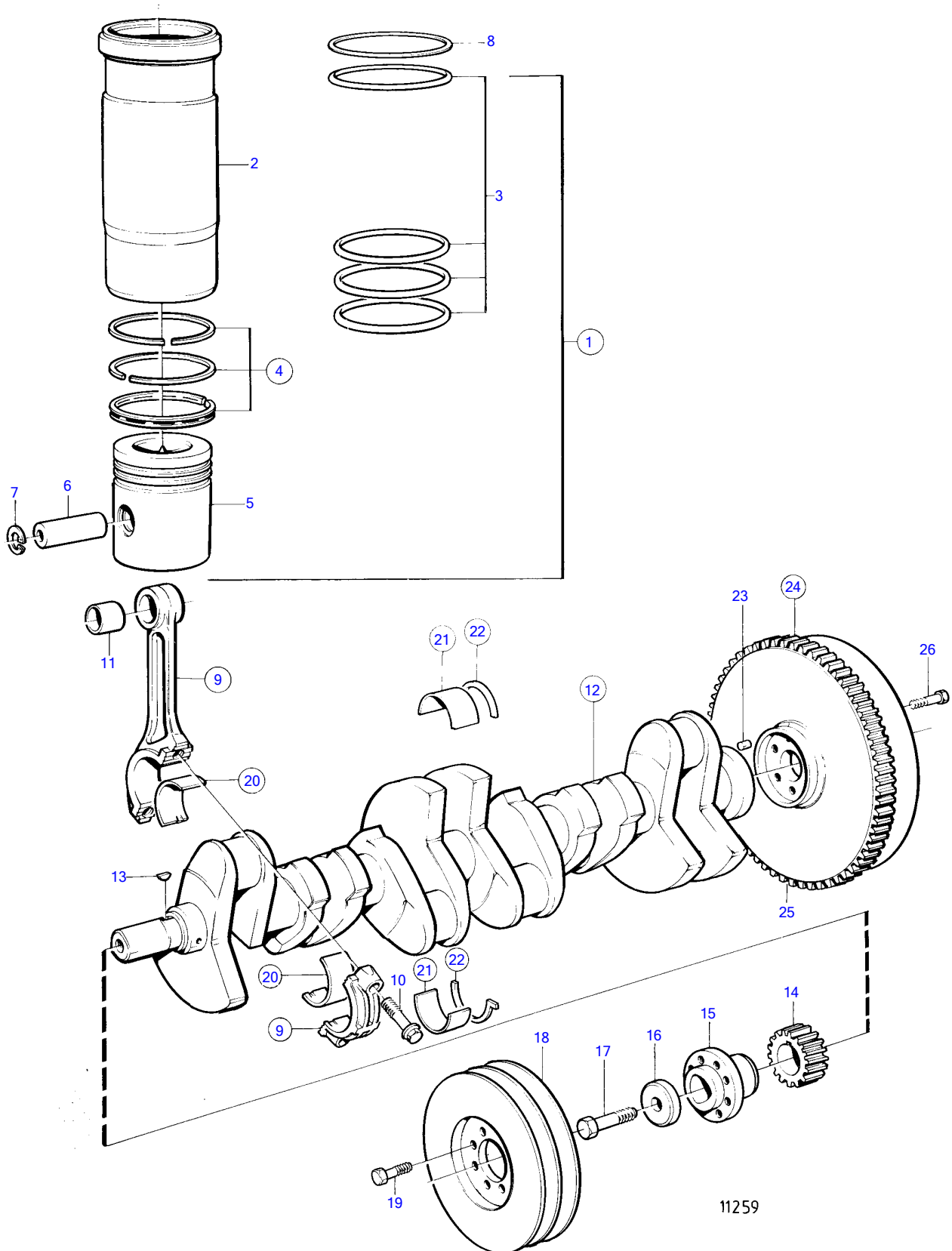


TAMD72P-A, TAMD72WJ-A



TAMD72P-A, TAMD72WJ-A

REF	PART NO.	QTY	DESCRIPTION	SEE SEC.	NOTES
1	876548	6	Cylinder liner kit		
2		6	• Cylinder liner		
3	271159	6	• Sealing ring kit		
4	876542	6	• Piston ring kit		
5		6	• Piston		
6	3978588	6	• Piston pin		(477927)
7	914525	12	• Snap ring		
8	466878	X	Adjusting washer		Shims to adjust the cylinder liner level., TH=0,20mm
	466114	X	Adjusting washer		Shims to adjust the cylinder liner level., TH=0,30mm
	466184	X	Adjusting washer		Shims to adjust the cylinder liner level., TH=0,50mm
9	864936	6	Connecting rod		Classified
10	465815	12	• Flange screw		
11	471364	12	• Bushing		
12	477116	1	Crankshaft, 6-hole		SN-XXXXXXXXXXXX/78960
	477870	1	Crankshaft, 9-hole		SNXXXXXXXXXXXX/78961-
13	422253	1	• Woodruff key		
14	471528	1	Gear		
			• Bulletin 45-01	45-01-EN	Timing Gears, 71, 100, 121
15	465779	1	Hub		
16	420124	1	Washer		
17	470366	1	Flange screw		
18	865243	1	Vibration damper		
19	421796	8	Flange screw		
20	270115	6	Big-end bearing kit		Std D
	270116	6	Big-end bearing kit		U.S=0,25mm
	270117	6	Big-end bearing kit		U.S=0,51mm
	(270118)	6	Big-end bearing kit		U.S=0,76mm, Obsolete part
	270119	6	Big-end bearing kit		U.S=1,01mm
	(270120)	6	Big-end bearing kit		U.S=1,27mm, Obsolete part
21	270432	7	Main bearing kit		Std D
	270433	7	Main bearing kit		U.S=0,25mm
	270434	7	Main bearing kit		U.S=0,51mm
	(270435)	7	Main bearing kit		U.S=0,76mm, Obsolete part
	270436	7	Main bearing kit		U.S=1,01mm
	(270437)	7	Main bearing kit		U.S=1,27mm, Obsolete part
22	276754	1	Thrust washer kit		Std D
	276755	1	Thrust washer kit		O.S=0,10mm
	276756	1	Thrust washer kit		O.S=0,20mm
	276757	1	Thrust washer kit		O.S=0,30mm
23	950677	1	Pin		
24	848350	1	Flywheel, 6-hole		SN-XXXXXXXXXXXX/78960
	3825864	1	Flywheel, 9-hole		SNXXXXXXXXXXXX/78961-
25	420314	1	• Ring gear		(420067)
26	465826	6	Flange screw		
	465826	9	Flange screw		