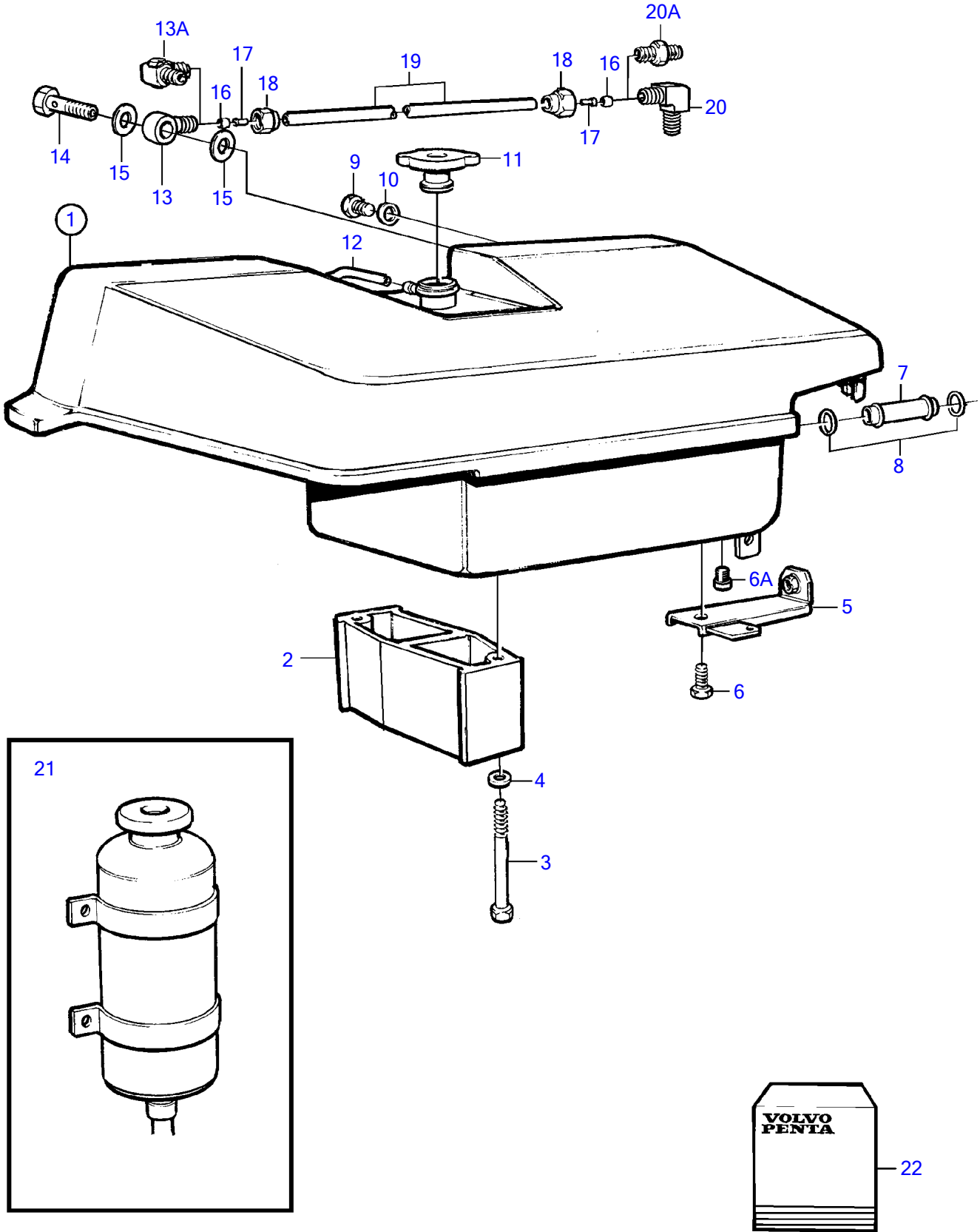


TAMD72P-A



TAMD72P-A

REF	PART NO.	QTY	DESCRIPTION	NOTES
1	864289	1	Expansion tank	Replaced by 1 ea expansion tank 3825381, 1 ea conversion kit 876679 for electric box and 1 ea plug 479956 to be mounted under the expansion tank., Green SN1030028/XXXXX-
	3825381	1	Expansion tank	Black SNXXXXXXXXXXXX/78543-
2	848516	2	Spacer plate	
3	965217	4	Flange screw	
4	941907	4	Spring washer	
5				SN1030028/XXXXX-
6				SN1030028/XXXXX-
6A	479956	1	Plug	Late type
6				SNXXXXXXXXXXXX/78543-
7	848519	1	Pipe	
8	471626	2	Sealing ring	
9	966142	1	Plug	Install in the lower hole., Early type
	861551	1	Plug	Install in the upper hole., Later prod (192134)
10	957175	1	Gasket	For 966142
11	845879	1	Pressure cap	
12	192618	X	Hose	L=800mm
13	945417	1	Banjo nipple	Late type
13A	479958	1	Elbow nipple	Early type (329638)
14	11994	2	Gasket	
15	969299	1	Hollow screw	Install in the lower hole., Late type
16	954364	2	Sleeve	
17	944717	2	Support sleeve	
18	954356	2	Fitting nut	
19	945460	X	Tube	Expansion tank-thermostat housing., L=125mm
20	954385	1	Elbow nipple	Install in the upper hole., Late type
20A	954378	1	Nipple	Early type
21		1	Expansion tank	See group 90
22	876679	1	Conversion kit	See group 30