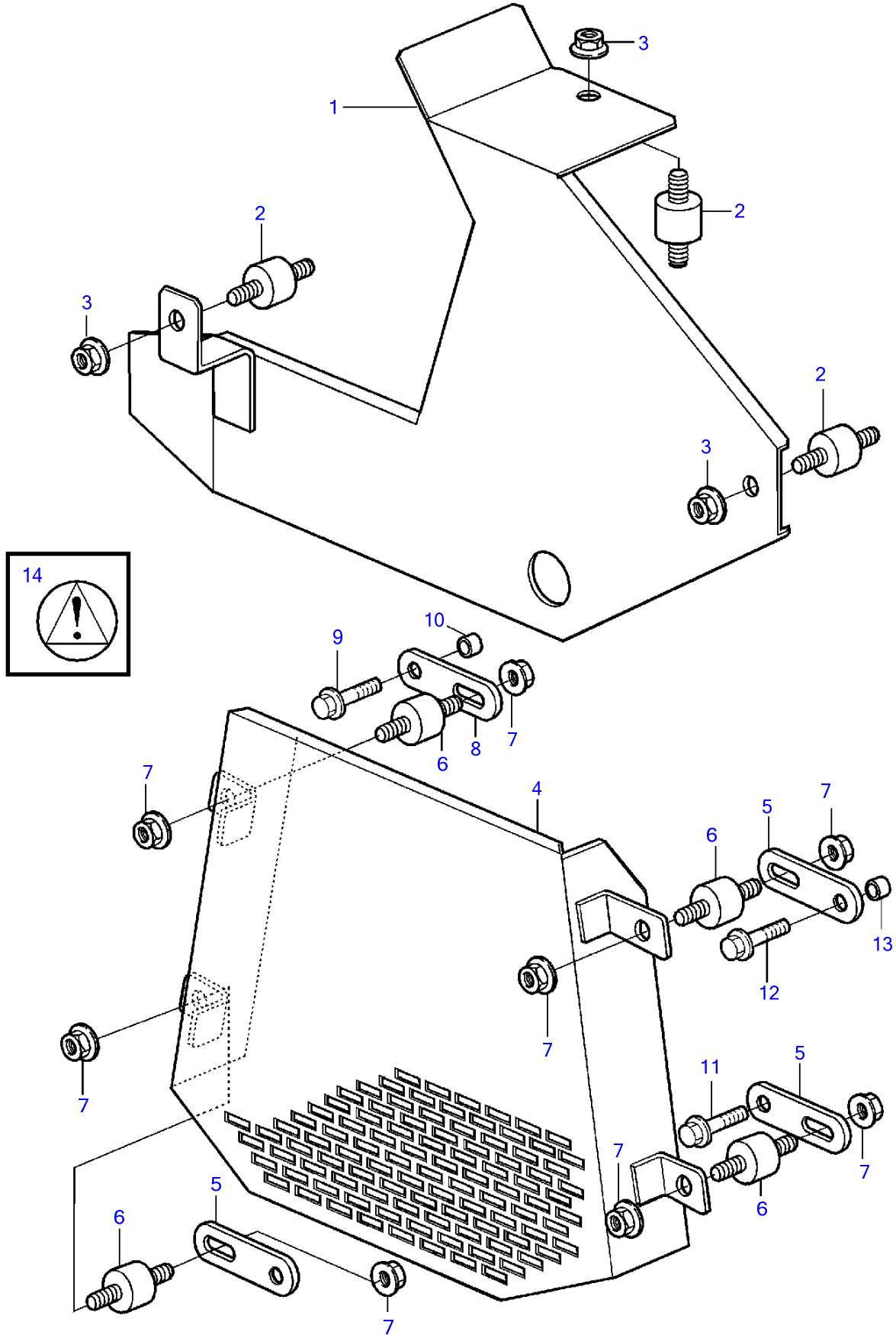


TAMD72P-A, TAMD72WJ-A



TAMD72P-A, TAMD72WJ-A

REF	PART NO.	QTY	DESCRIPTION	NOTES
1	3826239	1	Belt protector	
2	863415	3	Rubber cushion	
3	945408	3	Flange nut	
4	3826234	1	Belt protector	
5	965534	3	Bracket	
6	3574797	4	Vibration damper	
7	949278	8	Flange lock nut	
8	965544	1	Bracket	
9	965195	1	Flange screw	
10	827861	1	Spacer sleeve	
11	965215	1	Flange screw	
12	965216	1	Flange screw	
13	843075	1	Spacer sleeve	16x8,4x11mm
	1560272	1	Spacer washer	18x8,4x13mm
14	3827294	1	Decal	