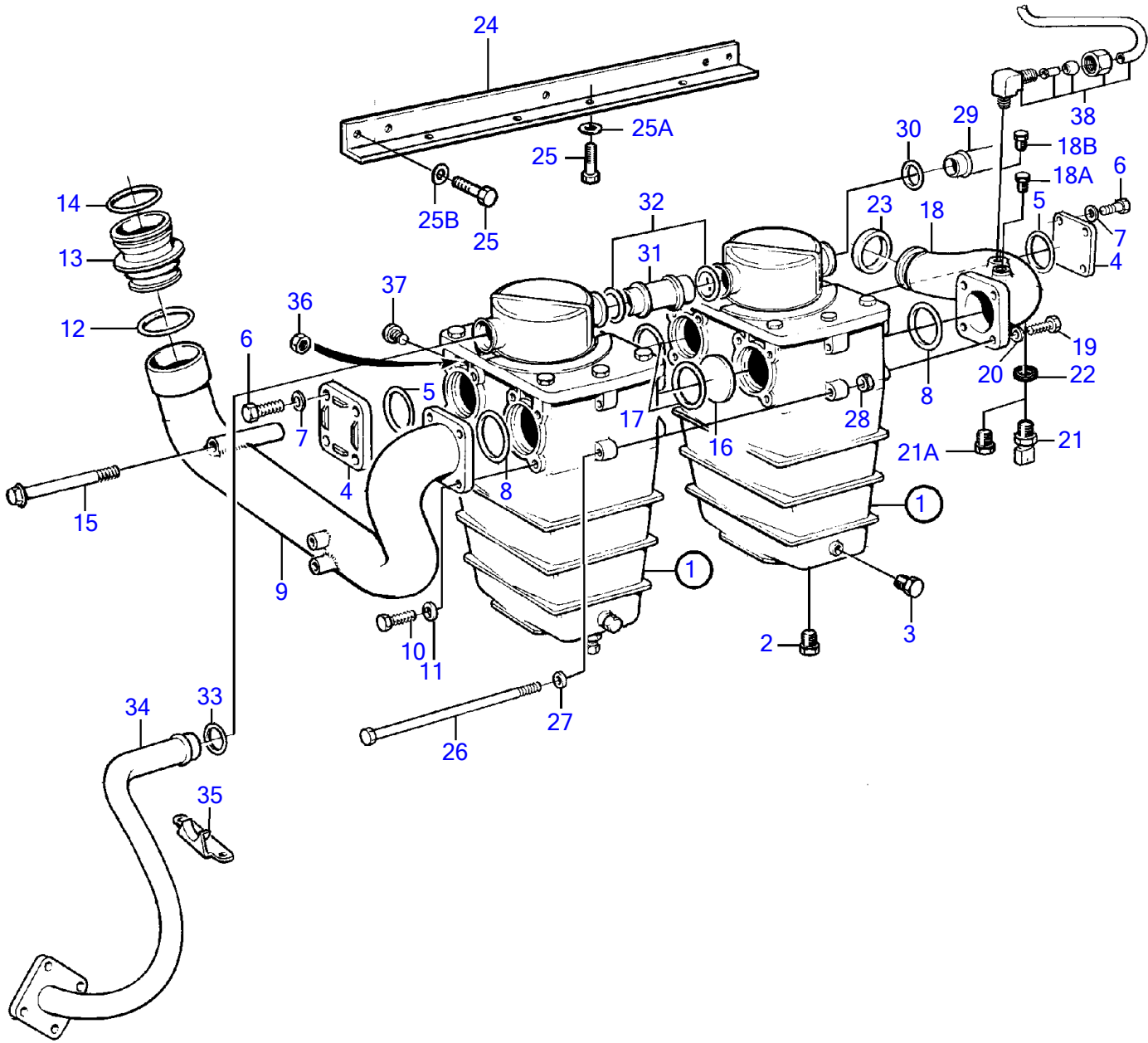


TAMD72WJ-A



17069

TAMD72WJ-A

REF	PART NO.	QTY	DESCRIPTION	SEE SEC.	NOTES
1	864916	2	Heat exchanger, classifiable		As a spare part a classified heat exchanger is obtained.
			.	706	
2	3825335	2	Plug		Replaced by plug 3825335.
3	981749	2	Plug		(479979)
4	847619	2	Cardboard tube		
5	949805	2	O-ring		
6	946440	8	Flange screw		(944926)
7	941907	8	Spring washer		
8	949805	2	O-ring		
9	(866060)	1	Pipe		After cooler-turbo., Obsolete part
10	955296	4	Hexagon screw		
11	941907	4	Spring washer		
12	864722	1	Sealing ring		
13	469510	1	Intermediate pipe		
14	866148	1	Sealing ring		
15	946474	1	Flange screw		Turbo-throttle housing., M12x120mm
16	847618	1	Cardboard tube		
17	947663	2	O-ring		
18	847770	1	Connection pipe		Replaced by 1 ea connecting pipe 3825376 and 1 ea plug 479979.
	3825376	1	Connection pipe		After cooler-inlet manifold.
18A	981749	1	Plug		(479979)
18B	981749	1	Plug		Alt, (479979)
19	955296	4	Hexagon screw		
20	941907	4	Spring washer		
21A	960632	1	Plug		
22	947624	1	Gasket		
23	469508	1	O-ring		
24	848100	1	Bracket		
25	946173	5	Flange screw		M8x20mm
	955296	4	Hexagon screw		M8x22mm
25A	941907	4	Spring washer		
25B	955894	5	Washer		
26	968303	4	Hexagon screw		M8x190mm
27	941907	4	Spring washer		
28	946036	4	Lock nut		
29	3827942	1	Coolant pipe		After cooler-heat exchanger., (864970)
30	466739	1	O-ring		
31	3827941	1	Coolant pipe		(864969)
32	466739	2	O-ring		
33	466739	1	O-ring		
34	864972	1	Coolant pipe		
35	864918	1	Retainer		
36	946036	4	Lock nut		
37	945444	4	Flange screw		
38	954385	1	Elbow nipple		
	954356	1	Fitting nut		
	954364	1	Sleeve		
	944717	1	Support sleeve		
	945460	1	Tube		L=1150mm