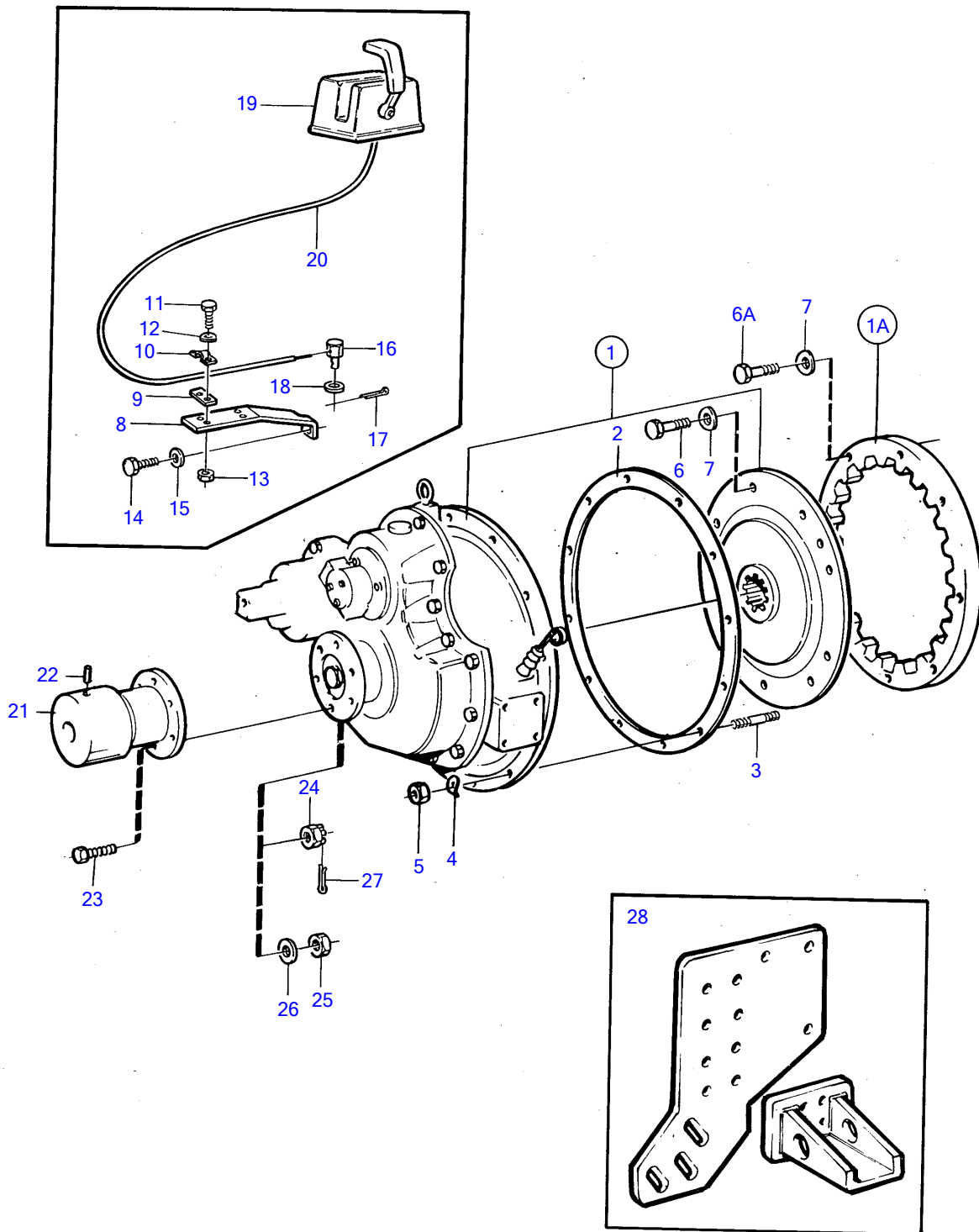


TAMD71B



15949

TAMD71B

| REF | PART NO. | QTY | DESCRIPTION | NOTES |
|-----|----------|-----|-----------------------------|---|
| 1 | | 1 | Reversing gear | Ratio -2.99:1 |
| | | | • parts not sold separately | |
| 1A | | 1 | Drive ring | |
| 1 | | | • parts not sold separately | Early type |
| 2 | 862623 | 1 | Gasket | |
| 3 | 953486 | 11 | Stud | |
| 4 | 942336 | 11 | Spring washer | |
| 5 | 955827 | 11 | Hexagon nut | |
| 6 | 940114 | 8 | Hexagon screw | |
| 6A | 956582 | 8 | Hex. socket screw | |
| 7 | 942336 | 8 | Spring washer | |
| 8 | 863483 | 1 | Bracket | |
| 9 | 819068 | 1 | Washer | |
| 10 | 21471054 | 1 | Bracket | For control cable 333, 33C. |
| | 6853782 | 1 | Cable clamp | For control cable 443, 43C. |
| 11 | 956079 | 2 | Cross recessed screw | |
| 12 | 941905 | 2 | Spring washer | Early type |
| 13 | 963104 | 2 | Lock nut | |
| 14 | 970948 | 1 | Hexagon screw | |
| 15 | 941908 | 1 | Spring washer | |
| 16 | 853217 | 1 | Cube | |
| 17 | 17253 | 1 | Split pin | |
| 18 | 940191 | 1 | Washer | |
| 19 | | X | Control | See group 27 |
| 20 | | X | Control cable | See group 27 |
| 21 | 842106 | 1 | Companion flange | For reverse gear ratio -1.98:1. |
| | (865434) | 1 | Clutch flange | For reverse gear ratio 2.98:1-, Obsolete part |
| 22 | (965011) | 2 | Pin | For reverse gear ratio 2.98:1-, Obsolete part |
| 23 | 955738 | 6 | Hexagon screw | For reverse gear ratio -1.98:1., L=57mm, early type |
| | 955739 | 6 | Hexagon screw | For reverse gear ratio -1.98:1., L=64mm, late type |
| | (955750) | 6 | Hexagon screw | For reverse gear ratio 2.98:1-, L=57mm, early type, Obsolete part |
| | 955751 | 6 | Hexagon screw | For reverse gear ratio 2.98:1-, L=64mm, late type |
| 24 | 955886 | 6 | Castle nut | For reverse gear ratio -1.98:1., Early type |
| | 955887 | 6 | Castle nut | For reverse gear ratio 2.98:1-, For 955750 |
| | 950379 | 6 | Lock nut | For reverse gear ratio 2.98:1-, For 955751 |
| 25 | 950378 | 6 | Lock nut | For reverse gear ratio -1.98:1., Late type |
| 26 | 941912 | 6 | Spring washer | For reverse gear ratio -1.98:1., Late type |
| | 941914 | 6 | Spring washer | For reverse gear ratio 2.98:1-, Late type, Obsolete part |
| 27 | 907861 | 6 | Split pin | For reverse gear ratio 2.98:1-, Early type |
| 28 | | 2 | Engine suspension | See group 21 |